



CATALOGO TECNICO  
TECHNICAL CATALOGUE



Y STRAINERS  
Y STRAINERS

VOCI DI CAPITOLATO - TECHNICAL FEATURES



Attacchi filettati femmina/femmina e tappo d'ispezione.  
Corpo in ottone.

Temperatura minima e massima d'esercizio:  
-20°C, 110°C in assenza di vapore.

**Grado di filtrazione:**  
**da 1/4" a 2" 500µm; 2 1/2, 3" e 4" 800µm.**

Attacchi filettati ISO228  
(equivalente a DIN EN ISO 228 e BS EN ISO 228).

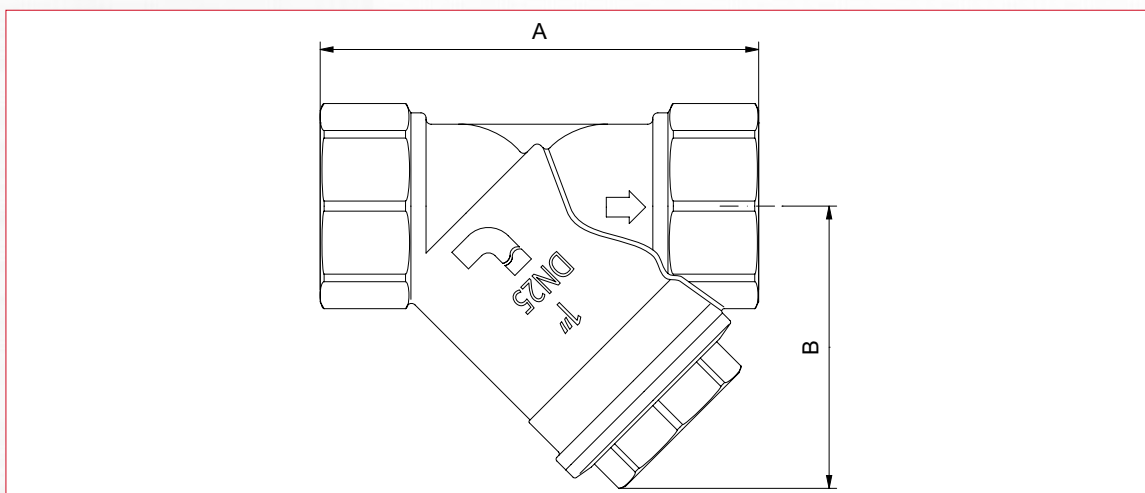
*Female/female threads and inspection plug.  
Body in brass.*

**Filtration degree:**  
**1/4" through 2" 500µm; 2 1/2, 3" and 4" 800µm.**

*Threads: ISO228  
(equivalent to DIN EN ISO 228 and BS EN ISO 228).*

MISURA/SIZE	1/4" (DN 8)	3/8" (DN 10)	1/2" (DN 15)	3/4" (DN 20)	1" (DN 25)	1 1/4" (DN 32)	1 1/2" (DN 40)	2" (DN 50)	2 1/2" (DN 65)	3" (DN 80)	4" (DN 100)
PRESSIONE/PRESSURE	20bar/290psi	20bar/290psi	20bar/290psi	20bar/290psi	20bar/290psi	20bar/290psi	20bar/290psi	20bar/290psi	16bar/232psi	16bar/232psi	16bar/232psi
CODICE/CODE	1920014	1920038	1920012	1920034	1920100	1920114	1920112	1920200	1920212	1920300	1920400
IMBALLO/PACKING	20/260	20/260	20/160	10/130	8/64	5/60	2/36	2/28	1/16	1/10	1/4

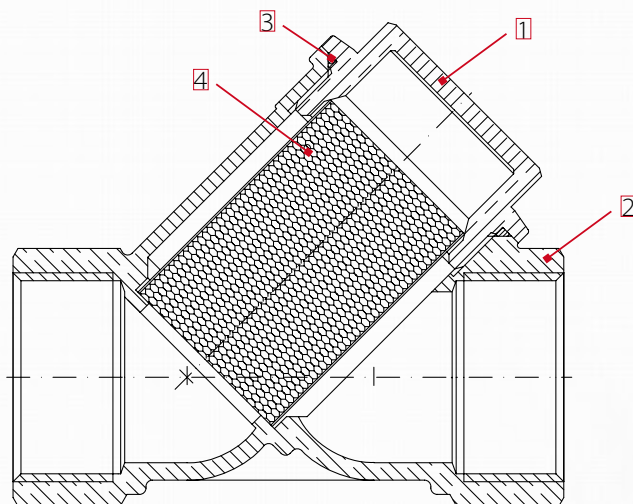
QUOTE DI INGOMBRO - DRAWING



MISURE / SIZE	1/4"	3/8"	1/2"	3/4"	1"	1 1/4"	1 1/2"	2"	2 1/2"	3"	4"
DN	8	10	15	20	25	32	40	50	65	80	100
A (mm)	55	55	58	70	87	96	106	126	150	169	219
B (mm)	40	40	40	48	56	64	73	89	107	120	161
PRESS. ATMOSF. / WORK. PRESS. Kg/cm <sup>2</sup> - bar	20	20	20	20	20	20	20	20	16	16	16
PRESS. ATMOSF. PSI LBS WORK. PRESS	290	290	290	290	290	290	290	290	240	240	240



SCHEDA MATERIALI - MATERIALS



POS.	DESCRIZIONE/DESCRIPTION	Q.TÀ/N.	MATERIALE/MATERIAL
1	Manicotto / End adapter	1	Ottone / Brass CW617N
2	Corpo / Body	1	Ottone / Brass CW617N
3	Guarnizione / O-ring	1	Or NBR / NBR - 70SH/A
4	Filtro / Strainer	1	Acciaio / Steel AISI 304

CARTUCCIA - CARTRIDGE

192CA



**Grado di filtrazione: da 1/4" a 2" 500µm; 2 1/2, 3" e 4" 800µm.**

**Filtration degree: 1/4" through 2" 500µm; 2 1/2, 3" and 4" 800µm.**

MISURA/SIZE	1/4" (DN 8)	3/8" (DN 10)	1/2" (DN 15)	3/4" (DN 20)	1" (DN 25)	1 1/4" (DN 32)	1 1/2" (DN 40)	2" (DN 50)	2 1/2" (DN 65)	3" (DN 80)	4" (DN 100)
CODICE/COE	192CA014	192CA014	192CA014	192CA034	192CA100	192CA114	192CA112	192CA200	192CA212	192CA300	192CA400

Certificazioni- Certifications



VOCI DI CAPITOLATO - TECHNICAL FEATURES



Attacchi filettati femmina/femmina e tappo d'ispezione.  
Corpo in ottone nichelato.

Temperatura minima e massima d'esercizio:  
-20°C, 110°C in assenza di vapore.

**Disponibile in tre gradi di filtrazione:  
500µm, 300µm and 50µm.**

Attacchi filettati ISO228  
(equivalente a DIN EN ISO 228 e BS EN ISO 228).

*Female/female threads and inspection plug.  
Body in nickel-plated brass.*

**Available in 3 filtration degrees:  
500µm, 300µm and 50µm.**

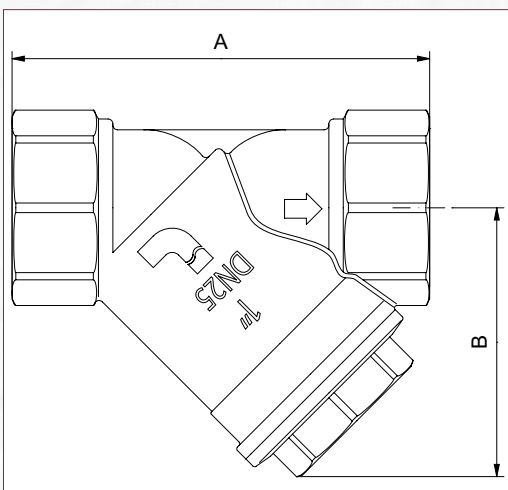
*Threads: ISO228  
(equivalent to DIN EN ISO 228 and BS EN ISO 228).*

MISURA/SIZE	1/4" (DN 8)	3/8" (DN 10)	1/2" (DN 15)	3/4" (DN 20)	1" (DN 25)	1 1/4" (DN 32)	1 1/2" (DN 40)	2" (DN 50)
PRESSIONE/PRESSURE	20bar/290psi	20bar/290psi	20bar/290psi	20bar/290psi	20bar/290psi	20bar/290psi	20bar/290psi	20bar/290psi
CODICE/CODE	1930014	1930038	1930012	1930034	1930100	1930114	1930112	1930200
IMBALLO/PACKING	20/260	20/260	20/160	10/130	8/64	5/60	2/36	2/28

MISURA/SIZE	1/4" (DN 8)	3/8" (DN 10)	1/2" (DN 15)	3/4" (DN 20)	1" (DN 25)	1 1/4" (DN 32)	1 1/2" (DN 40)	2" (DN 50)
PRESSIONE/PRESSURE	20bar/290psi	20bar/290psi	20bar/290psi	20bar/290psi	20bar/290psi	20bar/290psi	20bar/290psi	20bar/290psi
CODICE/CODE	1930014G	1930038G	1930012G	1930034G	1930100G	1930114G	1930112G	1930200G
IMBALLO/PACKING	20/260	20/260	20/160	10/130	8/64	5/60	2/36	2/28

MISURA/SIZE	1/4" (DN 8)	3/8" (DN 10)	1/2" (DN 15)	3/4" (DN 20)	1" (DN 25)	1 1/4" (DN 32)	1 1/2" (DN 40)	2" (DN 50)
PRESSIONE/PRESSURE	20bar/290psi	20bar/290psi	20bar/290psi	20bar/290psi	20bar/290psi	20bar/290psi	20bar/290psi	20bar/290psi
CODICE/CODE	1930014GAS	1930038GAS	1930012GAS	1930034GAS	1930100GAS	1930114GAS	1930112GAS	1930200GAS
IMBALLO/PACKING	20/260	20/260	20/160	10/130	8/64	5/60	2/36	2/28

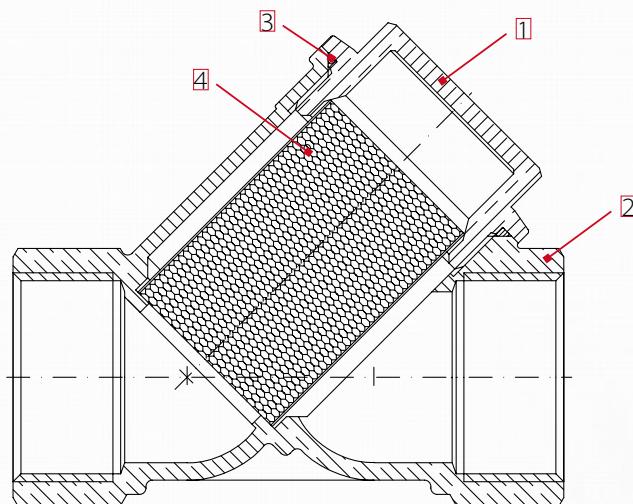
QUOTE DI INGOMBRO - DRAWING



MISURE / SIZE	1/4"	3/8"	1/2"	3/4"	1"	1 1/4"	1 1/2"	2"
DN	8	10	15	20	25	32	40	50
A (mm)	55	55	58	70	87	96	106	126
B (mm)	40	40	40	48	56	64	73	89
PRESS. ATMOSF. / WORK. PRESS. Kg/cm <sup>2</sup> - bar	20	20	20	20	20	20	20	20
PRESS. ATMOSF. PSI LBS WORK. PRESS	290	290	290	290	290	290	290	290



SCHEDA MATERIALI - MATERIALS



POS.	DESCRIZIONE/DESCRIPTION	Q.TÀ/N.	MATERIALE/MATERIAL
1	Manicotto / End adapter	1	Ottone nichelato / Nickel-plated brass CW617N
2	Corpo / Body	1	Ottone nichelato / Nickel-plated brass CW617N
3	Guarnizione / O-ring	1	Or NBR / NBR - 70SH/A
4	Filtro / Strainer	1	Acciaio / Steel AISI 304

CARTUCCIA - CARTRIDGE

192CA



Grado di filtrazione: 500µm o 300µm o 50µm.

Filtration degree: 500µm or 300µm or 50µm.

MISURA/SIZE	1/4" (DN 8)	3/8" (DN 10)	1/2" (DN 15)	3/4" (DN 20)	1" (DN 25)	1"1/4 (DN 32)	1"1/2 (DN 40)	2" (DN 50)	<b>500µm</b>
CODICE/COE	192CA014	192CA014	192CA014	192CA034	192CA100	192CA114	192CA112	192CA200	
MISURA/SIZE	1/4" (DN 8)	3/8" (DN 10)	1/2" (DN 15)	3/4" (DN 20)	1" (DN 25)	1"1/4 (DN 32)	1"1/2 (DN 40)	2" (DN 50)	<b>300µm</b>
CODICE/COE	192CA014G	192CA014G	192CA014G	192CA034G	192CA100G	192CA114G	192CA112G	192CA200G	
MISURA/SIZE	1/4" (DN 8)	3/8" (DN 10)	1/2" (DN 15)	3/4" (DN 20)	1" (DN 25)	1"1/4 (DN 32)	1"1/2 (DN 40)	2" (DN 50)	<b>50µm</b>
CODICE/COE	192CA014GAS	192CA014GAS	192CA014GAS	192CA034GAS	192CA100GAS	192CA114GAS	192CA112GAS	192CA200GAS	

Certificazioni- Certifications



PERDITE DI CARICO - PRESSURE DROP

MISURE / SIZE	3/8"	1/2"	3/4"	1"	1"1/4	1"1/2	2"	2"1/2	3"	4"
Kv	3,43	4,48	7,86	11	16	22	35	60	83	100

Con acqua - With water

