



Content

















■ Legend to Icons	1
■ Main advantages of water heaters and hot water storage tanks	1
■ ELECTRIC WATER HEATERS	
■ Wall-mounted vertical (OKHE ONE, OKHE SMART, OKHE, OKCE)	2
■ Wall-mounted horizontal (OKCEV)	6
■ Floor-standing (OKCE S 2,2 kW)	7
■ Floor-standing for connecting the heat pump (OKCE S)	8
■ Low-pressure flow heaters (PTO)	11
■ Low-pressure storage tanks (BTO)	12
■ Pressure flow heaters (MX)	13
■ Low-capacity pressure type (TO 5, 10, 15, 20, CLOSE)	14
■ COMBINED WATER HEATERS	
■ Wall-mounted vertical (OKC)	17
■ Wall-mounted horizontal (OKCV)	18
■ HOT WATER STORAGE TANKS	
■ Wall-mounted vertical (OKC/1 m ² , OKC NTR/Z)	19
■ Floor-standing (OKCE NTR/2,2 kW)	20
■ Floor-standing indirect heating (OKC NTR/BP, OKC NTRR/BP, OKC NTR, OKC NTRR, OKC NTR/HV, OKH NTR/HV, OKC NTR/HP)	22
■ SOLAR HOT WATER STORAGE TANKS	
■ Floor-standing (OKC NTRR/SOL)	35
■ WATER HEATER WITH HEAT PUMP (AQUA-HP)	36
■ ACCESSORY TABLES	37
■ ORIGINAL PARTS FROM DRAŽICE	39
■ COMPANY HISTORY	41

Tolerance of all stated dimensions complies with ČSN ISO

Note: * Value is determined by calculation

** The heater is supplied with a 6 bar safety valve.

Legend to Icons

Inlets		Outlets	
Gas boiler		Hot water	
Solid fuel boiler			
Biomass boiler		Installation	
Fireplace insert		Universal bracket	
Electric heating – dry ceramic electrical heating unit TPK 210/12			
Electric heating – wet electrical heating unit TJ 6/4"			
Electric heating – series R, SE electrical heating unit			
Electrical heating unit (part of the product)			
Heat pump			
Photothermic solar power system			
Photovoltaic solar power system			

Main advantages of water heaters and hot water storage tanks

Crystal Enamel®



DZD water heaters and hot water storage tanks are protected inside by a unique Crystal Enamel anti-corrosion coating developed in cooperation with the German company Wendel. This layer is hygienically clean and therefore suitable for permanent contact with drinking water. Unlike the stainless steel, Crystal Enamel is resistant to pitting corrosion in the environment of hard and chlorinated water.

Thermo Gen®



Thermogen2 is the second generation of our exclusive insulating foam, which has been developed in cooperation with the company of Covestro, for attaining the most optimal heat-loss coefficients. The key here is a unique mixture tailor-made for our heaters. Its qualities are in line with all current and future trends in the field of heaters. It excels both in its insulating qualities as well as its shape integrity. Moreover, we are one of the first manufacturers in Europe able to meet the strictest ecological requirements of the EU, and thereby significantly contribute to protecting the atmosphere and the environment.

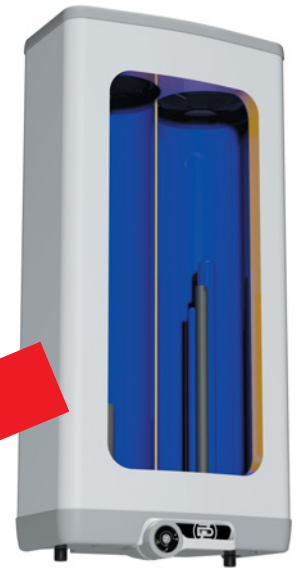
Ceramic Solution®



The Ceramic Solution electrical heating unit is exceptionally resistant to hard and aggressive water and significantly extends the life of the water heater and storage tank under any conditions. This ensures the long-term stable performance of the heater system due to reduced limescale. DZD is a pioneer in this water heating solution; they have been using it in their products for over 50 years.

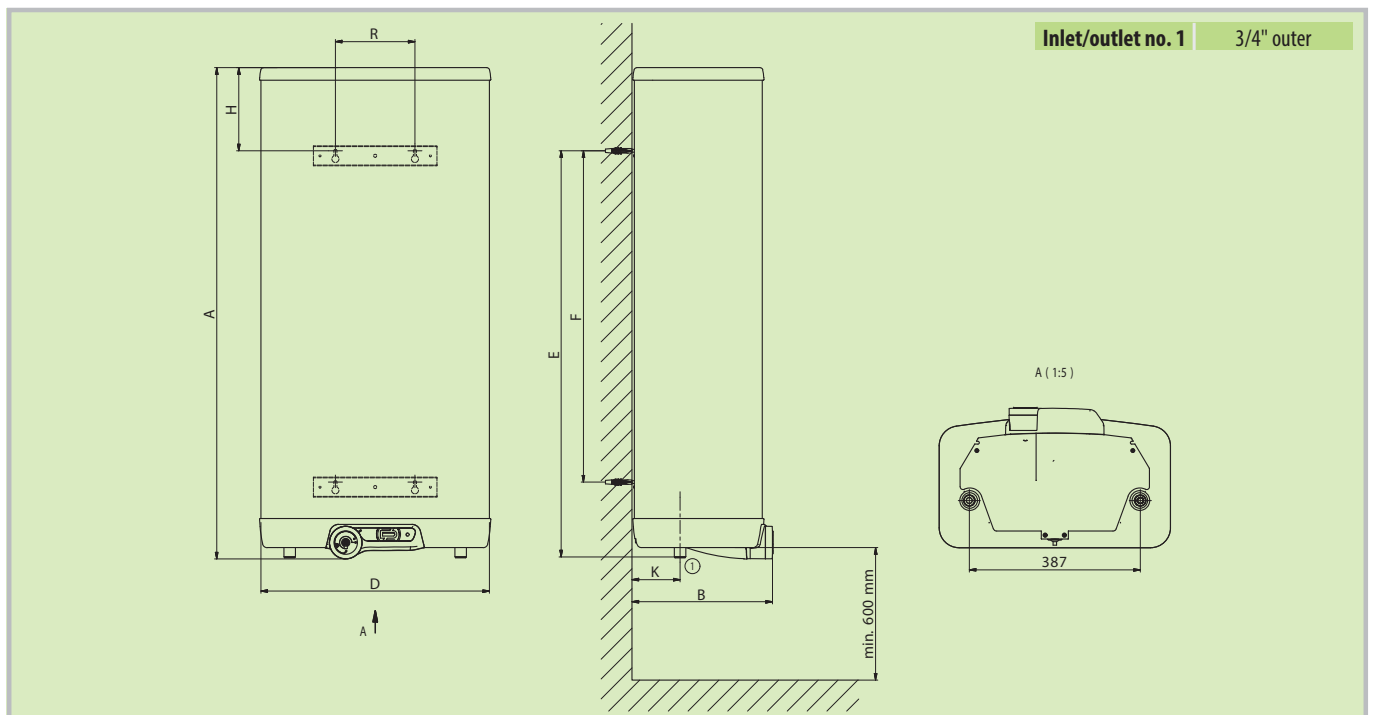


- New flat heater in models 30–120 l
- Suitable for installation in restricted areas, it can be built in the kitchen line
- Quick water heating due to the concept of two vessels
- It combines the traditional DZD technology and modern design
- Possible alternatives to the replacement of the gas heater
- The option of purchasing 2 multipurpose holders (order number 102000703)



Types of storage tanks		OKHE ONE 30	OKHE ONE 50	OKHE ONE 80	OKHE ONE 100	OKHE ONE 120
Order number		181110801	180510801	180110801	180810801	180310801
Capacity	[l]	28	45	65	80	98
Max. weight of the empty water heater	[kg]	22	31	46	55	62
Insulation thickness	[mm]	min. 33				
Thermal conductivity of the insulation	[W·m ⁻¹ ·K ⁻¹]	0,021				
Power consumption of the el. heating unit	[W]	1100	2000			
Heating time from 10 °C to 60 °C	[h]	1,5	1,5	2,0	2,5	3,0
Electrical connection		1/N/PE ~ 230V/50Hz				
Recommended circuit breaker size	[A]	10	16			
Degree of protection		IP44				
Max. working temperature / overpressure in tank	[°C]/[bar]	90/6				
Energy efficiency class		C				
Annual consumption	[kWh·a ⁻¹]	561	1353	1378	1404	1403

Dimensions [mm]	A	B	D	E	F	H	K	R
OKHE ONE 30	617	318	523	500	350	110	110	180
OKHE ONE 50	845	318	523	730	560	110	110	180
OKHE ONE 80	1112	318	523	920	750	190	110	180
OKHE ONE 100	1327	318	523	1135	950	190	110	180
OKHE ONE 120	1552	318	523	1360	1150	190	110	180



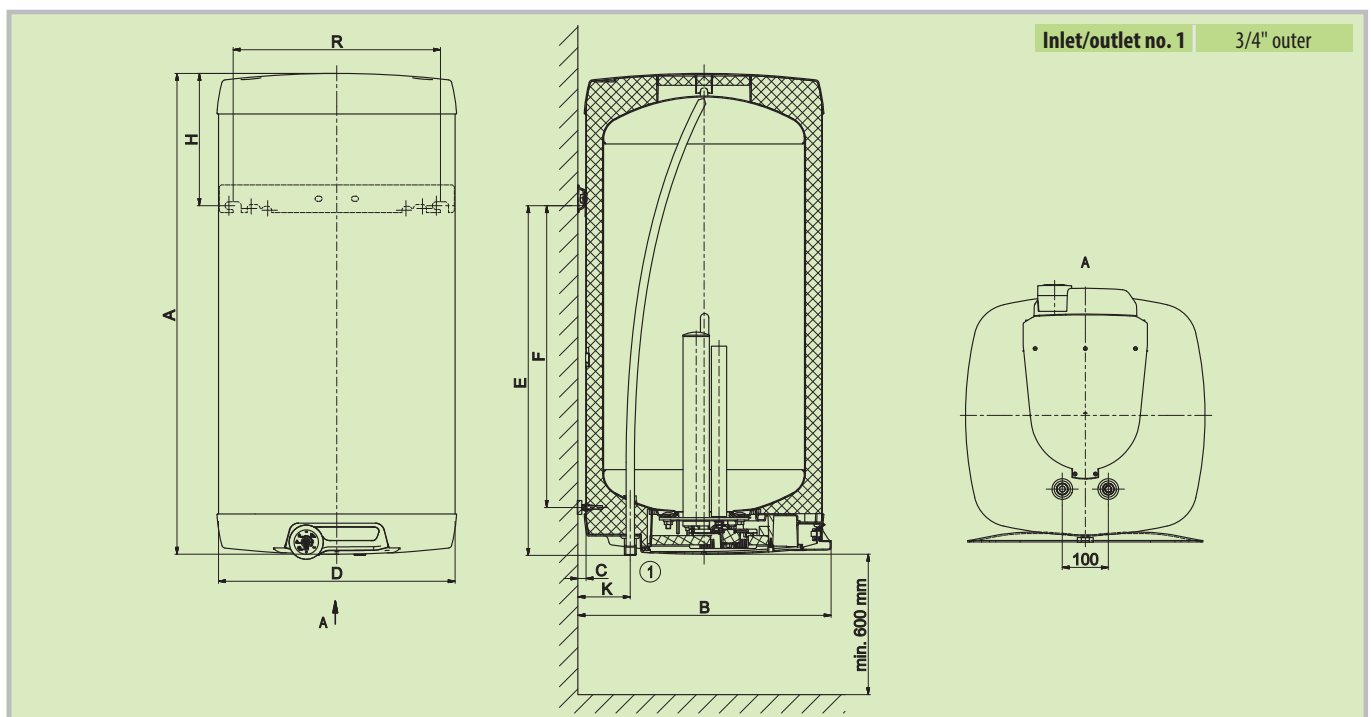


- The flagship of DZD's product line, combining the best available technologies
- Contains self-learning Smart Control Unit for optimisation of consumption, saving up to 15% on expenses.
- Can be controlled using DZD smartphone app (Android/iOS).
- Smart HDO function (low tariff): the heater recognizes the low tariff in electrical network.
- Independent diagnostics of malfunctions, e.g. status of protective anodes
- Can be used as a classic heater
- Can be plugged into any socket without temporal or other control



Types of storage tanks		OKHE 80/SMART	OKHE 100/SMART	OKHE 125/SMART	OKHE 160/SMART
Order number		140111601	140811601	140311601	140611601
Capacity	[l]	80	100	125	152
Max. weight of the empty water heater	[kg]	35	39	46	52
Insulation thickness	[mm]	to 80			
Thermal conductivity of the insulation	[W·m ⁻¹ ·K ⁻¹]	0,022			
Power consumption of the el. heating unit	[W]	2200			
Heating time from 10 °C to 60 °C	[h]	2,1	2,6	3,3	4,0
Electrical connection		1/N/PE ~ 230V/50Hz			
Recommended circuit breaker size	[A]	16			
Degree of protection		IP44			
Max. working temperature / overpressure in tank	[°C]/[bar]	90/6			
Energy efficiency class		B			C
Annual consumption	[kWh·a ⁻¹]	1240	1249	1255	2450

Dimensions [mm]	A	B	C	D	E	F	H	K	R
OKHE 80/SMART	740	550	19	520	582	464	148	117	450
OKHE 100/SMART	885	550	19	520	727	605	148	117	450
OKHE 125/SMART	1050	550	19	520	757	638	283	117	450
OKHE 160/SMART	1235	550	19	520	1000	880	225	117	450



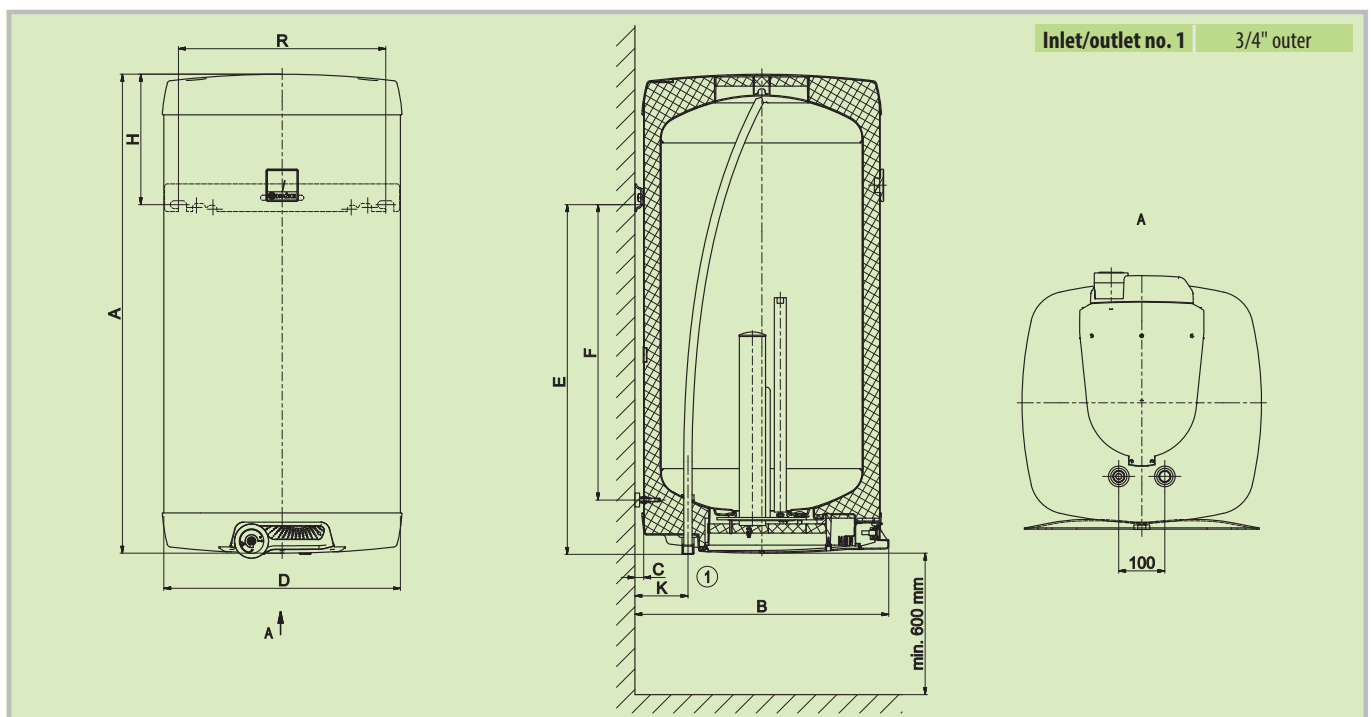


- Capacities of 80–160 l
- Produced as wall-mounted and square-shaped – more interesting design
- With a 2.2 kW electrical heating unit
- 4 kW electrical heating unit can be installed upon request
- Above-average thickness of insulation in corners
- IP 44 electrical enclosure – can be placed near consumption points



Types of storage tanks		OKHE 80	OKHE 100	OKHE 125	OKHE 160
Order number		140110801	140810801	140310801	140610801
Capacity	[l]	80	100	125	152
Max. weight of the empty water heater	[kg]	34	38	45	51
Insulation thickness	[mm]	to 80			
Thermal conductivity of the insulation	[W·m ⁻¹ ·K ⁻¹]	0,022			
Power consumption of the el. heating unit	[W]	2200			
Heating time from 10 °C to 60 °C	[h]	2,1	2,6	3,3	4,0
Electrical connection		1/N/PE ~ 230V/50Hz			
Recommended circuit breaker size	[A]	16			
Degree of protection		IP44			
Max. working temperature / overpressure in tank	[°C]/[bar]	90/6			
Energy efficiency class		C			
Annual consumption	[kWh·a ⁻¹]	1391	1395	1374	2715

Dimensions [mm]	A	B	C	D	E	F	H	K	R
OKHE 80	740	550	19	520	582	464	148	117	450
OKHE 100	885	550	19	520	727	605	148	117	450
OKHE 125	1050	550	19	520	757	638	283	117	450
OKHE 160	1235	550	19	520	1000	880	225	117	450





- Capacities of 50–200 l
- Comes in wall-mounted version
- With a 2.2 kW electrical heating unit
- 4 kW electrical heating unit can be installed upon request, **not possible for OKCE 50**
- 1 wall-mounted console up to a capacity of 160 l;
2 wall-mounted consoles for capacity of 200 l

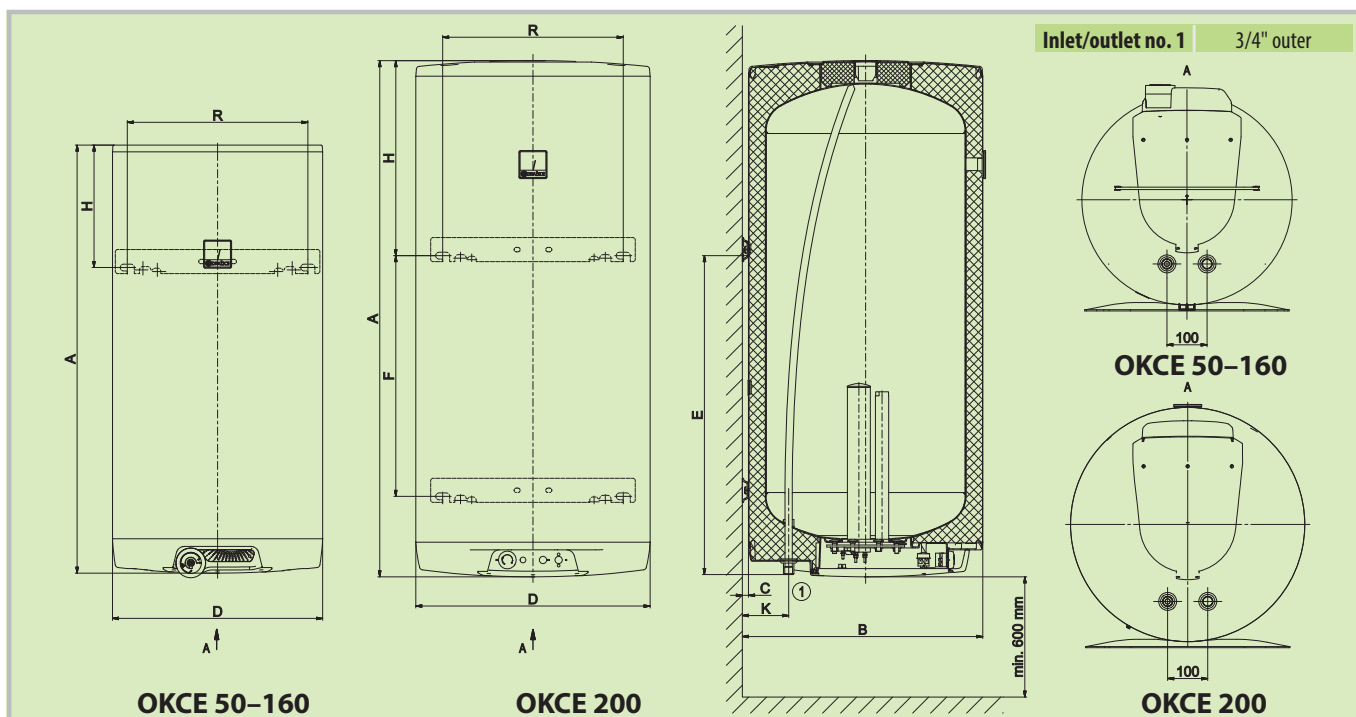


OKCE 50-160

OKCE 200

Types of storage tanks		OKCE 50	OKCE 80	OKCE 100	OKCE 125	OKCE 160	OKCE 200
Order number		1105108101	1101108101	1108108101	1103108101	1106108101	110710801
Capacity	[l]	51	80	100	125	152	200
Max. weight of the empty water heater	[kg]	28	32	39	43	49	66
Insulation thickness	[mm]	42					
Thermal conductivity of the insulation	[W·m ⁻¹ ·K ⁻¹]	0,022					
Power consumption of the el. heating unit	[W]	2200					
Heating time from 10 °C to 60 °C	[h]	1,3	2,1	2,6	3,3	4,0	5,3
Electrical connection		1/N/PE ~ 230V/50Hz					
Recommended circuit breaker size	[A]	16					
Degree of protection		IP44					
Max. working temperature / overpressure in tank	[°C]/[bar]	90/6					
Energy efficiency class		C					
Annual consumption	[kWh·a ⁻¹]	1365	1342	1362	1409	2622	4403

Dimensions [mm]	A	B	C	D	E	F	H	K	R
OKCE 50	585	562	14	524	440	369	135	116	450
OKCE 80	757	562	14	524	605	508	142	116	450
OKCE 100	902	562	14	524	725	654	167	116	450
OKCE 125	1067	562	14	524	760	682	297	116	450
OKCE 160	1255	562	14	524	1000	925	245	116	450
OKCE 200	1290	600	14	584	795	600	485	116	450



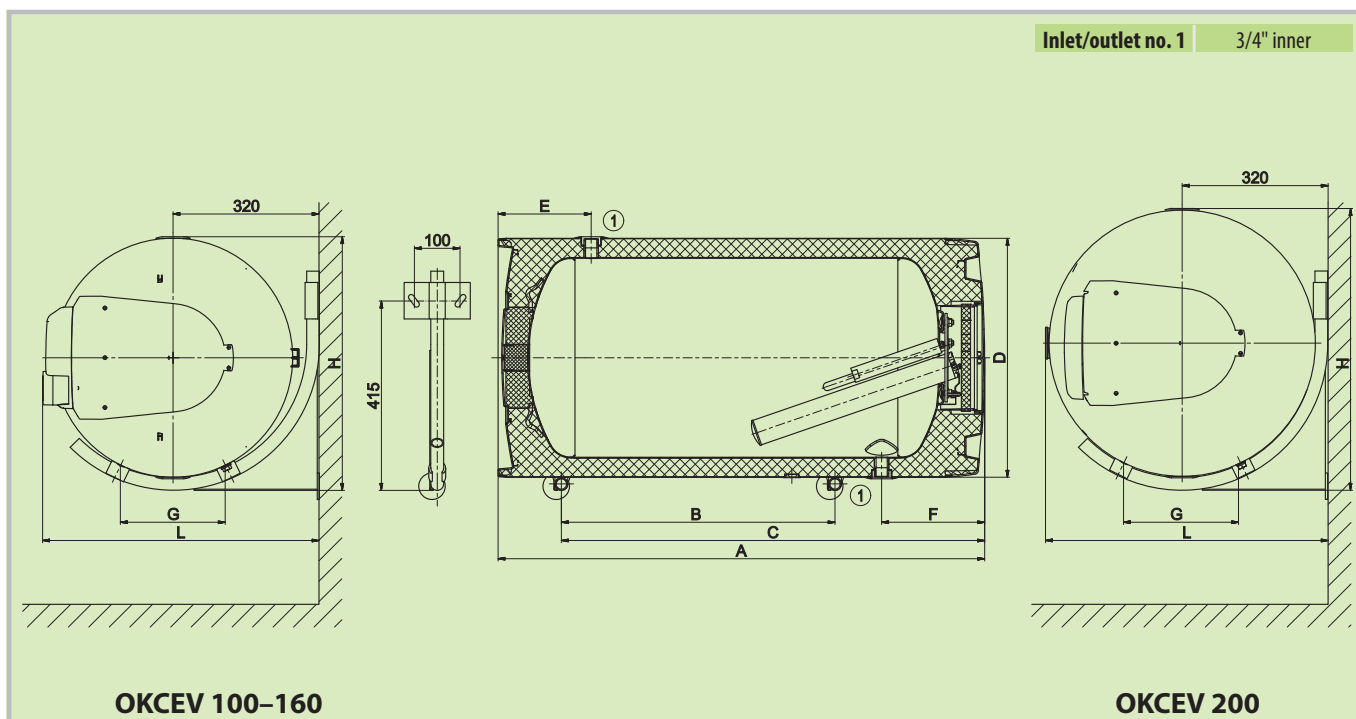


- Capacities of 100–200 l
- Produced solely in right-hand design
- With a 2.2 kW electrical heating unit
- 4 kW electrical heating unit can be ordered – only for capacity of 200 l
- Includes anchoring bracket



Types of storage tanks		OKCEV 100	OKCEV 125	OKCEV 160	OKCEV 200
Order number		1108308111	1103308111	1106308111	1107308111
Capacity	[l]	100	125	152	200
Max. weight of the empty water heater	[kg]	42	48	54	71
Insulation thickness	[mm]	42			
Thermal conductivity of the insulation	[W·m ⁻¹ ·K ⁻¹]	0,022			
Power consumption of the el. heating unit	[W]	2200			
Heating time from 10 °C to 60 °C	[h]	2,6	3,3	4,0	5,3
Electrical connection		1/N/PE ~ 230V/50Hz			
Recommended circuit breaker size	[A]	16			
Degree of protection		IP42			
Max. working temperature / overpressure in tank	[°C]/[bar]	90/6			
Energy efficiency class		C			
Annual consumption	[kWh·a ⁻¹]	1401	2614	2691	4324

Dimensions [mm]	A	B	C	D	E	F	G	H	L
OKCEV 100	902	435	763	524	204	226	230	556	606
OKCEV 125	1067	600	928	524	204	226	230	556	606
OKCEV 160	1255	750	1060	524	254	226	230	556	606
OKCEV 200	1290	600	936	584	258	246	250	618	618



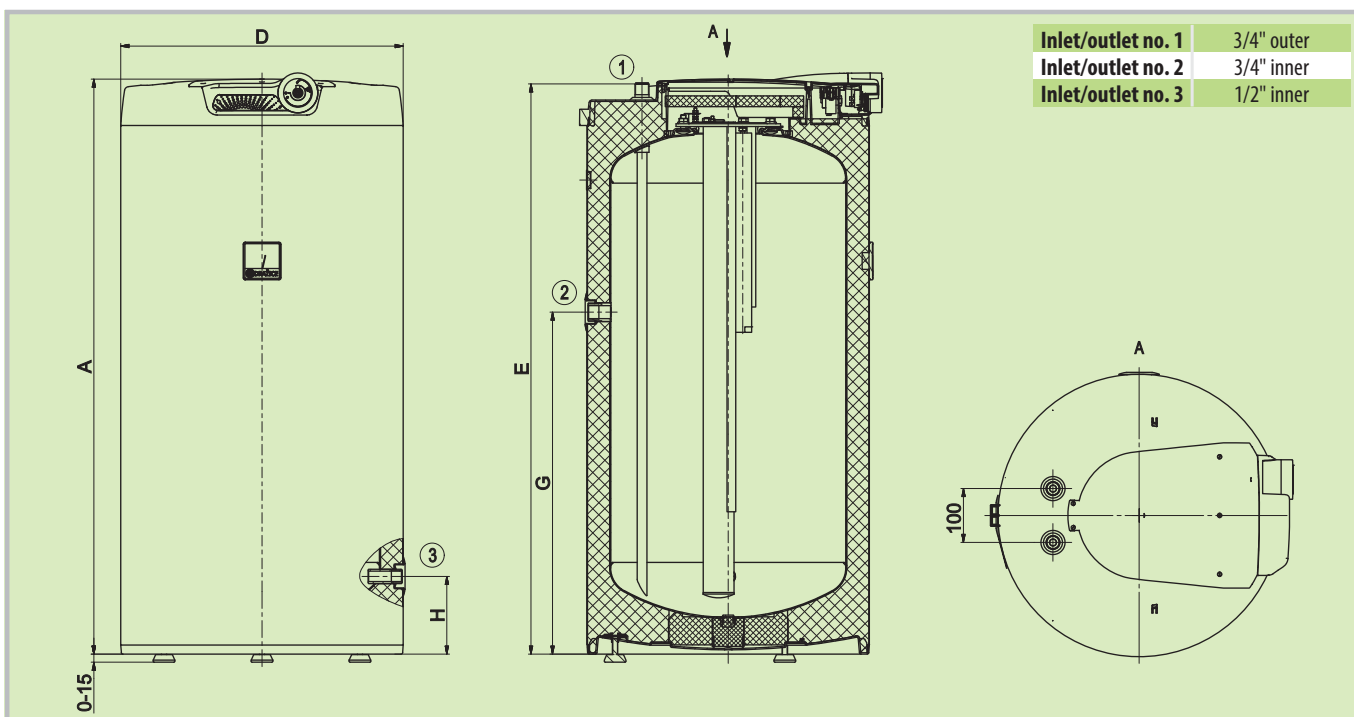


- Capacities of 100–125 l
- All storage tanks have inlet/outlet for circulation connection
- Discharge outlet enclosed
- Equipped with electrical heating unit



Types of storage tanks		OKCE 100S/2,2kW	OKCE 125S/2,2kW
Order number		1108111101	1103111101
Capacity	[l]	100	125
Max. weight of the empty water heater	[kg]	39	45
Insulation thickness	[mm]		42
Thermal conductivity of the insulation	[W·m ⁻¹ ·K ⁻¹]		0,022
Power consumption of the el. heating unit	[W]		2200
Heating time from 10 °C to 60 °C	[h]	2,6	3,3
Electrical connection			1/N/PE ~ 230V/50Hz
Recommended circuit breaker size	[A]		16
Degree of protection			IP42
Max. working temperature / overpressure in tank	[°C]/[bar]		90/6
Energy efficiency class			C
Annual consumption	[kWh·a ⁻¹]	1349	2637

Dimensions [mm]	A	D	E	G	H
OKCE 100 S/2,2kW	902	524	892	535	145
OKCE 125 S/2,2kW	1067	524	1057	635	145





- Capacities of 160–1000 l
- All storage tanks have inlet/outlet for circulation connection
- Installation of TPK 210-12 flanged heating unit required
- Storage tanks with capacities of 200-500 l have an inlet/outlet for TJ 6/4" heating unit
- RDU, REU heating units can be attached using a reduction flange
- R and SE heating units or a TPK heating unit can be installed in 750 and 1000 l storage tanks using a reduction flange

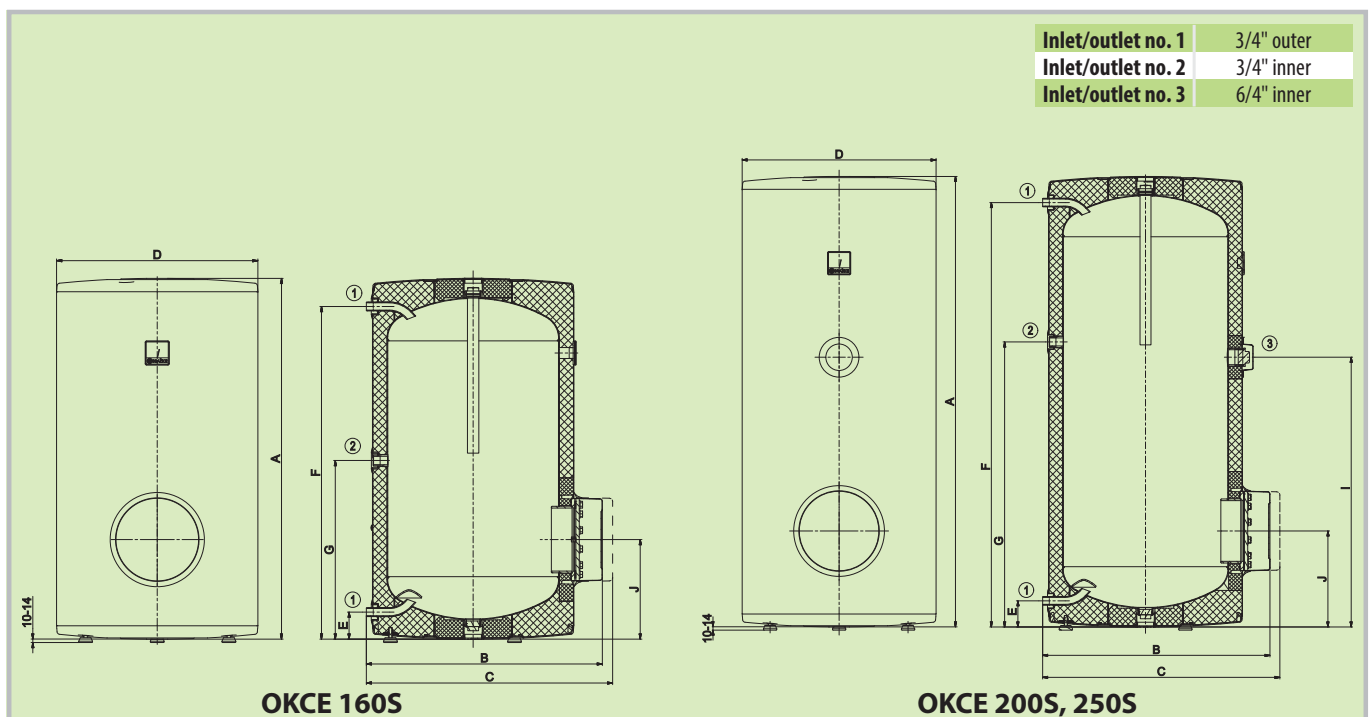


OKCE 160S

OKCE 200S, 250S

Types of storage tanks		OKCE 160S	OKCE 200S	OKCE 250S
Order number		110611501	110711501	110911501
Capacity	[l]	160	220	259
Max. weight of the empty water heater	[kg]	52	72	76
Insulation thickness	[mm]		42	
Thermal conductivity of the insulation	[W·m ⁻¹ ·K ⁻¹]		0,022	
Power consumption of the el. heating unit	[W]		according to the type of accessories	
Heating time from 10 °C to 60 °C	[h]		according to the type of accessories	
Electrical connection			according to the type of accessories	
Recommended circuit breaker size	[A]		according to the type of accessories	
Degree of protection			according to the type of accessories	
Max. working temperature / overpressure in tank	[°C]/[bar]		90/6	
Energy efficiency class			C	
Annual consumption	[kWh·a ⁻¹]	2612	4301	4215

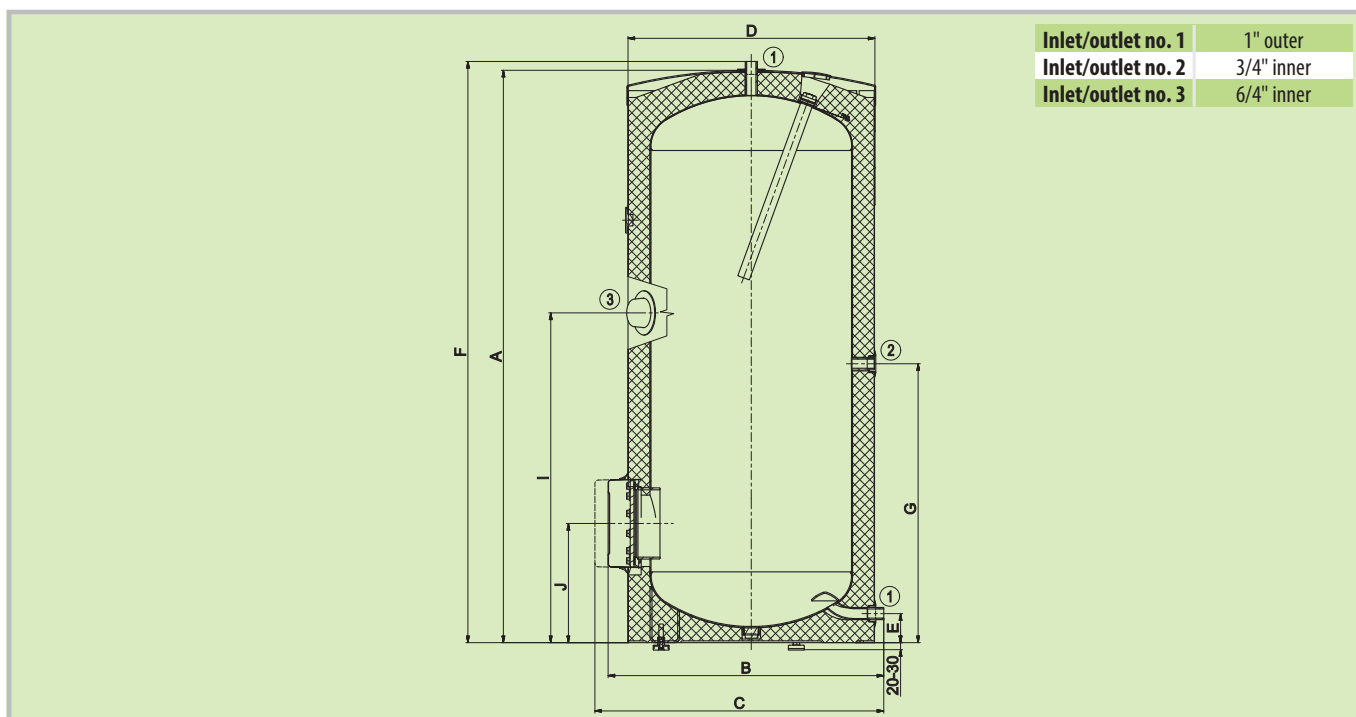
Dimensions [mm]	A	B	C	D	E	F	G	I	J
OKCE 160 S	1047	660	720	584	80	966	519	–	289
OKCE 200 S	1357	660	720	584	80	1280	859	813	289
OKCE 250 S	1537	660	720	584	80	1460	1059	813	289





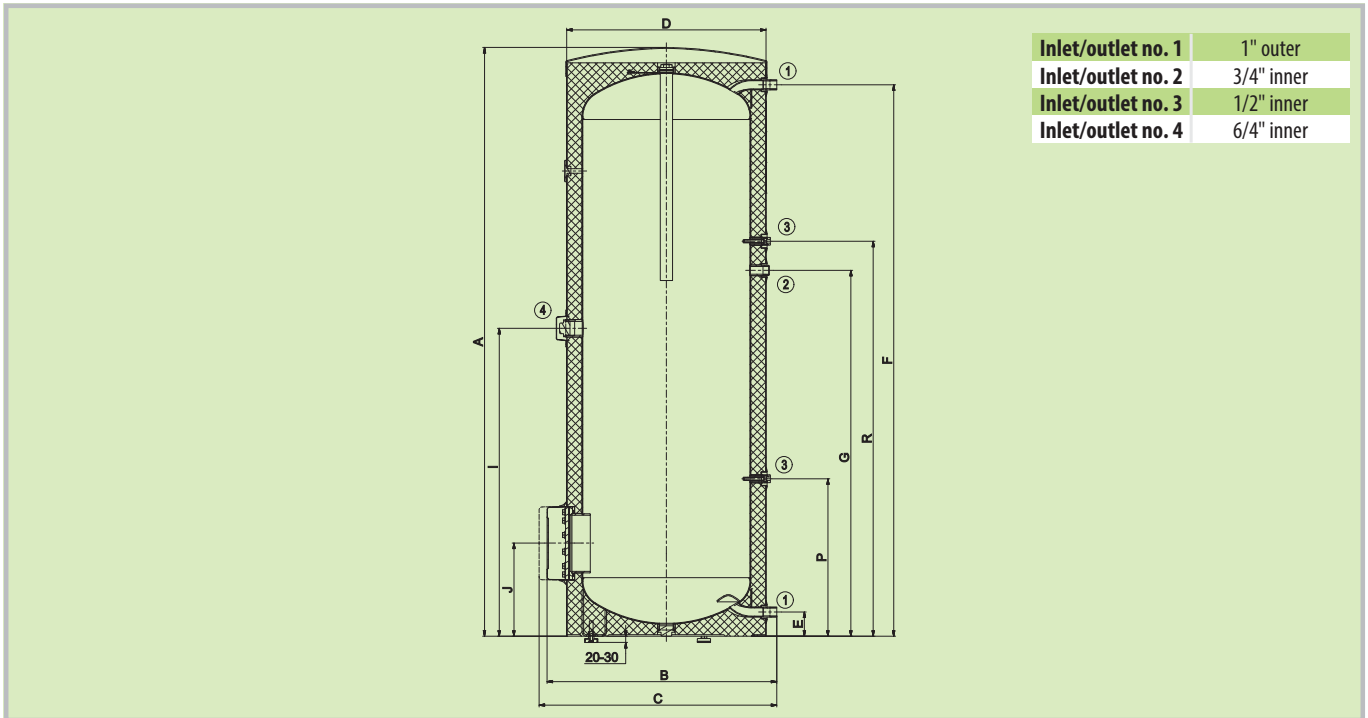
Types of storage tanks		OKCE 300S	OKCE 400S	OKCE 500S	OKCE 750S	OKCE 1000S
Order number		121011501	121411110	121311110	105513032	105513033
Capacity	[l]	314	395	455	750	969
Max. weight of the empty water heater	[kg]	80	97	106	158	206
Insulation thickness	[mm]	60	50	50	80	80
Thermal conductivity of the insulation	[W·m ⁻¹ ·K ⁻¹]	0,022	0,021		0,032	
Power consumption of the el. heating unit	[W]	according to the type of accessories				
Heating time from 10 °C to 60 °C	[h]	according to the type of accessories				
Electrical connection		according to the type of accessories				
Recommended circuit breaker size	[A]	according to the type of accessories				
Degree of protection		according to the type of accessories				
Max. working temperature / overpressure in tank	[°C]/[bar]	90/10				
Energy efficiency class		C				
Annual consumption	[kWh·a ⁻¹]	4361	5520	5525	5095	5036

Dimensions [mm]	A	B	C	D	E	F	G	I	J
OKCE 300 S	1558	750	810	670	77	1579	760	895	325

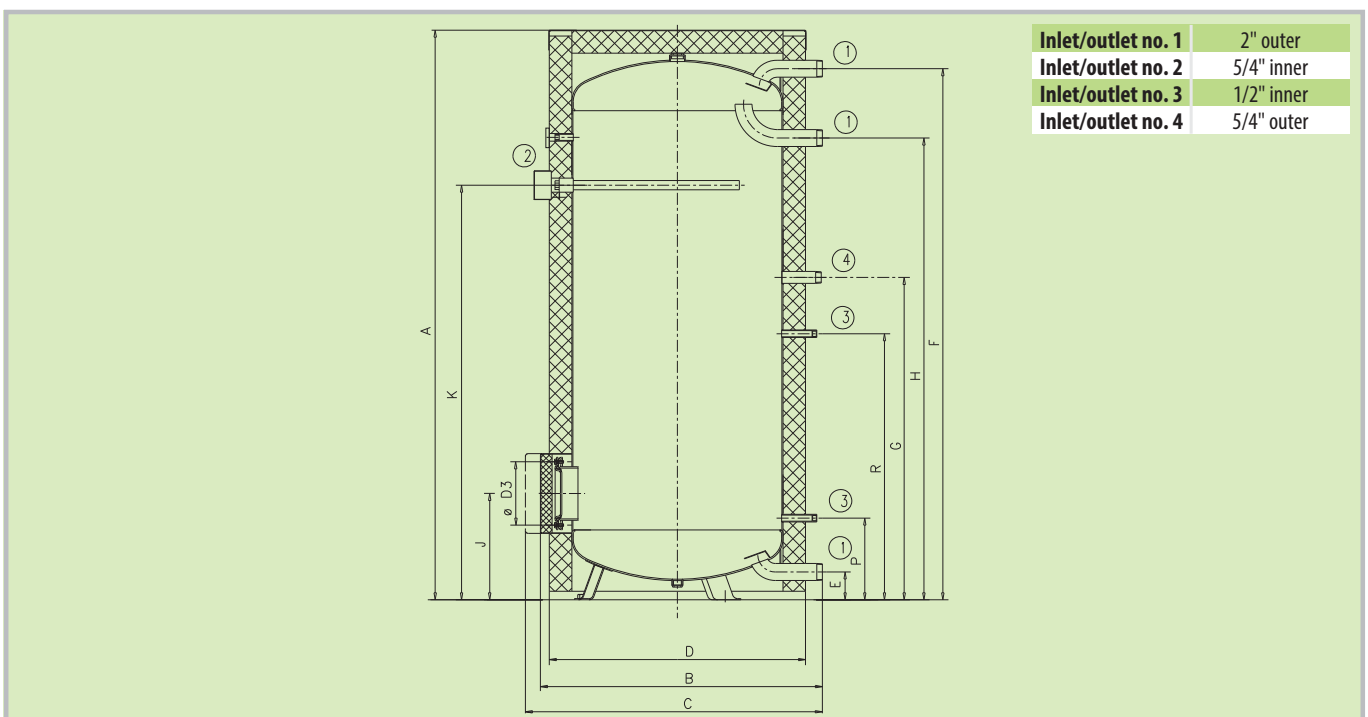




Dimensions [mm]	A	B	C	D	E	F	G	I	J	P	R
OKCE 400 S	1920	750	810	650	79	1799	1194	1005	304	514	1289
OKCE 500 S	1924	800	860	700	55	1790	1264	1040	287	380	1409



Dimensions [mm]	A	B	C	D	D3	E	F	G	H	J	K	P	R
OKCE 750 S	2030	1030	max. 1140	910	225	100	1893	1147	1642	382	1477	292	947
OKCE 1000 S	2050	1130	max. 1240	1010	225	100	1910	1155	1650	390	1515	300	955



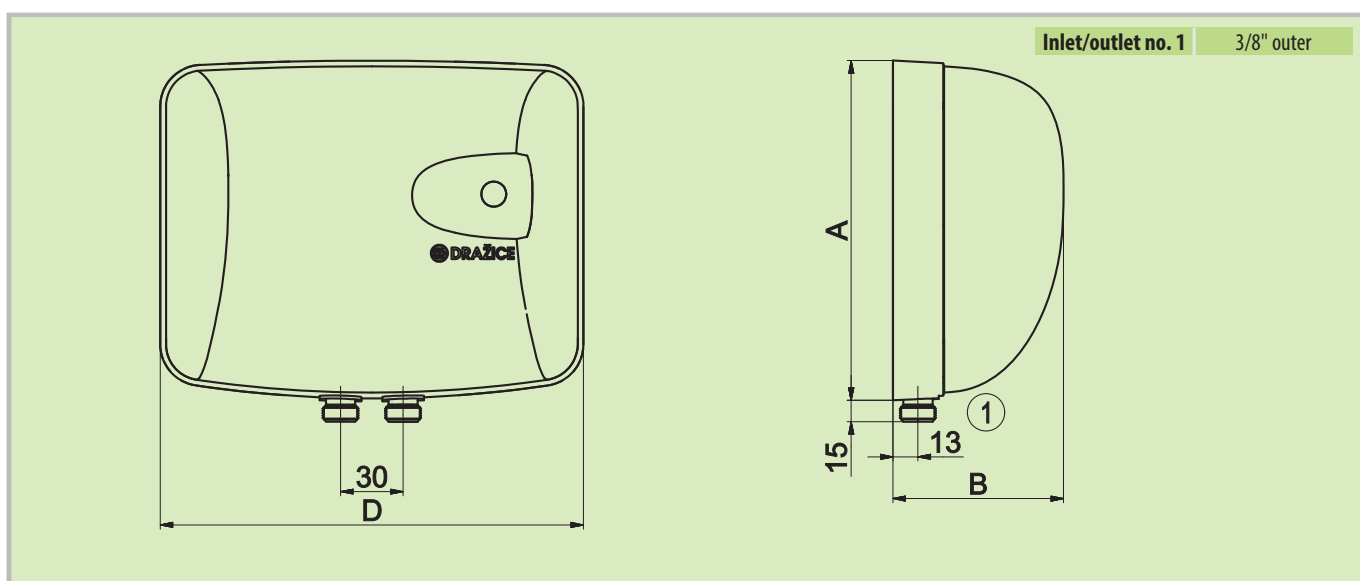


- With electrical heating units rated at 3.5 kW and 5 kW
- Use of a low-pressure water tap is required
- Only for one consumption point



Types of storage tanks		PTO 0733	PTO 1733
Order number		105213200	105213201
Weight	[kg]	1,6	1,6
Power consumption of the el. heating unit	[W]	3,5	5
Heating time from 10 °C to 60 °C	[h]	by means of through-flow	
Electrical connection		1 PE-N 230V/50Hz	
Recommended circuit breaker size	[A]	20	25
Degree of protection		IP25	
Energy efficiency class		A	
Annual consumption	[kWh·a ⁻¹]	478	475

Dimensions [mm]	A	B	D
PTO 0733	161	80	204
PTO 1733	161	80	204



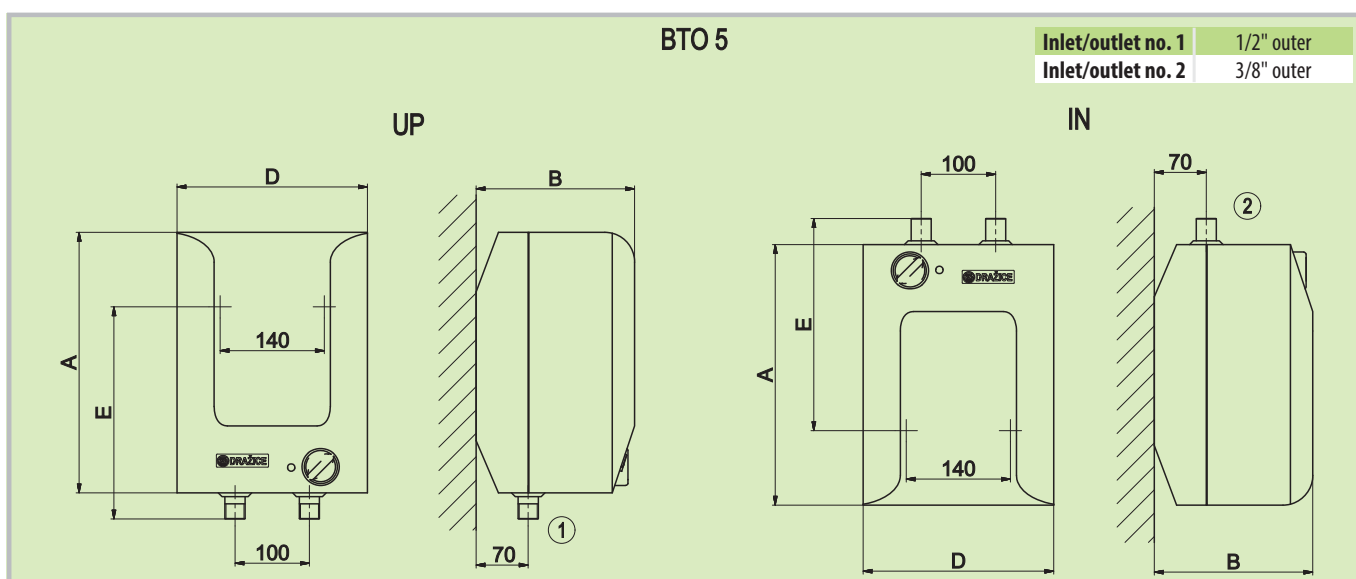


- Capacities of 5 and 10 l
- Low-pressure plastic tank
- Use of a low-pressure water tap is required
- Can be placed under (IN) or above (UP) the consumption point
- Only for one consumption point



Types of storage tanks		BTO 5 UP	BTO 5 IN	BTO 10 UP	BTO 10 IN
Order number		105313200	105313201	105313204	105313205
Capacity	[l]	5,5	5,7	9,8	9,9
Weight	[kg]		3,5		4
Insulation thickness	[mm]		31		35
Thermal conductivity of the insulation	[W·m ⁻¹ ·K ⁻¹]			0,045	
Power consumption of the el. heating unit	[W]			2000	
Heating time from 10 °C to 60 °C	[min]		10		20
Electrical connection				1 PE-N 230V/50Hz	
Recommended circuit breaker size	[A]			16	
Degree of protection				IP24	
Energy efficiency class				A	
Annual consumption	[kWh·a ⁻¹]	525	527	523	525

Dimensions [mm]	A	B	D	E
BTO 5 UP	355	213	256	264
BTO 5 IN	355	213	256	138
BTO 10 UP	475	265	350	398
BTO 10 IN	475	265	350	122





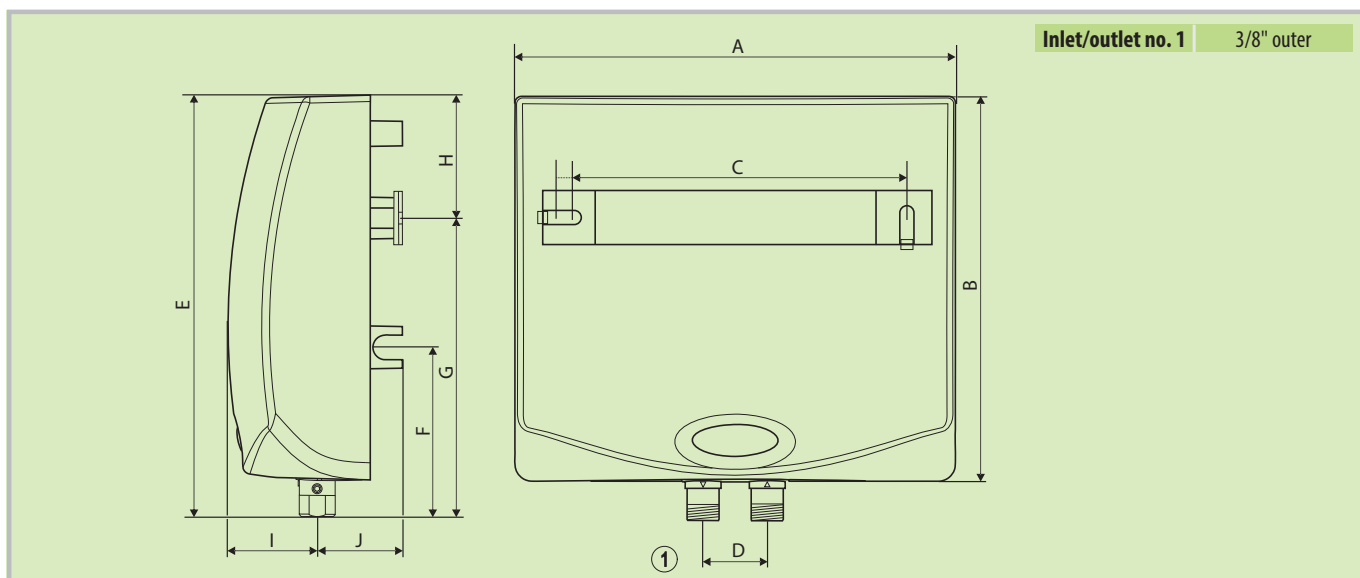
- Simple manual switching of water heating performance
- High comfort of water heating and significant electricity saving
- Possible connection to more consumption locations
- Assembly in the shower corner is not possible
- Power design: 4,4/7 kW; 5,5/9 kW; 5,5/11 kW

NEW



Types of storage tanks		MX2207 - 4,5/7 kW	MX2209 - 5,5/9 kW	MX2211 - 5,5/11 kW
Order number		105213310	105213311	105213312
Weight	[kg]		1,7	
Power consumption of the el. heating unit	[W]	4500 + 2500	5500 + 3500	2 x 5500
Water flow at 40 °C	[l·min ⁻¹]	4,0	5,1	6,2
Water flow at 60 °C	[l·min ⁻¹]	1,9	2,6	3,2
Electrical connection		1 PE-N 230V/50Hz		
Recommended circuit breaker size	[A]	2 x 16	2 x 20	2 x 25
Degree of protection		IP45		
Max. continuous water pressure	[bar]	6		
Jigger profile		XXS		
Energy efficiency class		A		
Annual consumption	[kWh·a ⁻¹]	446	460	453

Dimensions [mm]	A	B	C	D	E	F	G	H	I	J
MX2207 - 4,5/7 kW	207	181	155–162	30	199	79	141	58+25	48	37
MX2209 - 5,5/9 kW	207	181	155–162	30	199	79	141	58+25	48	37
MX2211 - 5,5/11 kW	207	181	155–162	30	199	79	141	58+25	48	37



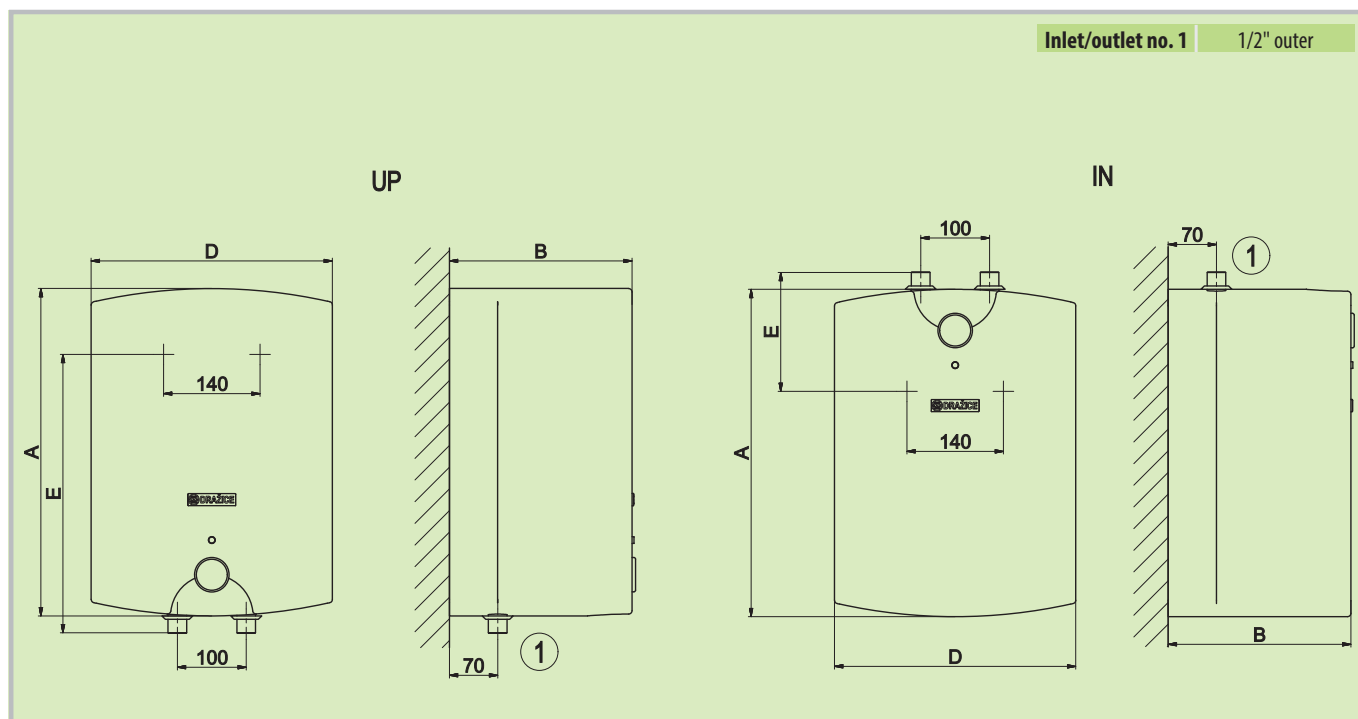


- Capacities of 5, 10 and 15 l
- Enamelled pressure vessel
- Electrical heating unit with power consumption of 2 kW
- Can be placed under (IN) or above (UP) the consumption point
- For one or more consumption points



Types of storage tanks		TO 5 UP	TO 5 IN	TO 10 UP	TO 10 IN	TO 15 UP	TO 15 IN
Order number		105313202	105313203	105313206	105313207	105313208	105313209
Capacity	[l]	6,2	6,6	9,8	9,9	14,8	14,9
Weight	[kg]	6,8		8		11	
Insulation thickness	[mm]	28		30		30	
Thermal conductivity of the insulation	[W·m ⁻¹ ·K ⁻¹]					0,025	
Power consumption of the el. heating unit	[W]					2000	
Heating time from 10 °C to 60 °C	[min]	11		20		29	
Electrical connection		1 PE-N 230V/50Hz					
Recommended circuit breaker size	[A]	16					
Degree of protection		IP24					
Max. working temperature / overpressure in tank	[°C]/[bar]	90/6					
Energy efficiency class		A					
Annual consumption	[kWh·a ⁻¹]	514	525	508	524	510	523

Dimensions [mm]	A	B	D	E
TO 5 UP	375	265	260	280
TO 5 IN	375	265	260	122
TO 10 UP	475	265	350	398
TO 10 IN	475	265	350	122
TO 15 UP	475	310	350	398
TO 15 IN	475	310	350	122



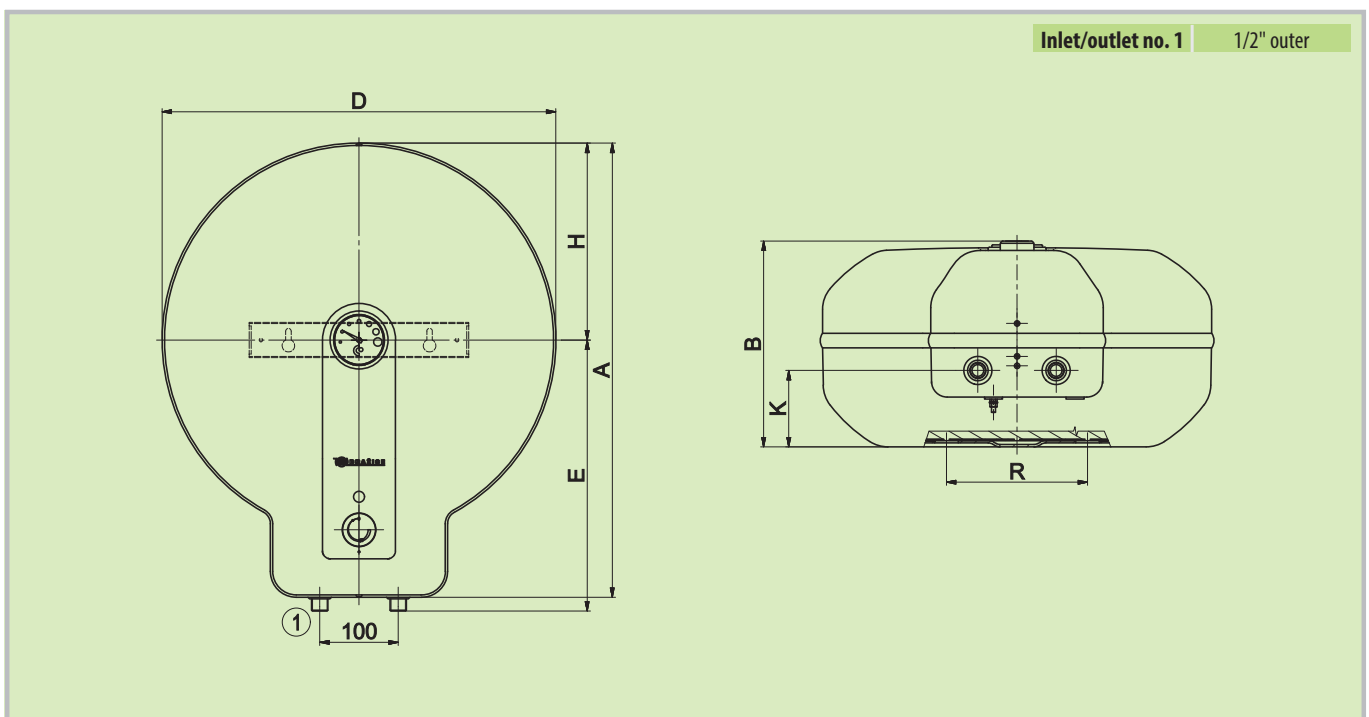


- Capacity of 20 l
- Enamelled pressure vessel
- Electrical heating unit with power consumption of 2.2 kW
- The storage tank is of sufficient capacity for a shower or multiple washbasins



Types of storage tanks		TO 20
Order number		120210501
Capacity	[l]	20
Max. weight of the empty water heater	[kg]	12
Insulation thickness	[mm]	20
Thermal conductivity of the insulation	[W·m ⁻¹ ·K ⁻¹]	0,022
Power consumption of the el. heating unit	[W]	2200
Heating time from 10 °C to 60 °C	[h]	0,5
Electrical connection		1 PE-N 230V/50Hz
Recommended circuit breaker size	[A]	16
Degree of protection		IP44
Max. working temperature / overpressure in tank	[°C]/[bar]	90/6
Energy efficiency class		A
Annual consumption	[kWh·a ⁻¹]	485

Dimensions [mm]	A	B	D	E	H	K	R
TO 20	579	263	502	346	251	98	180

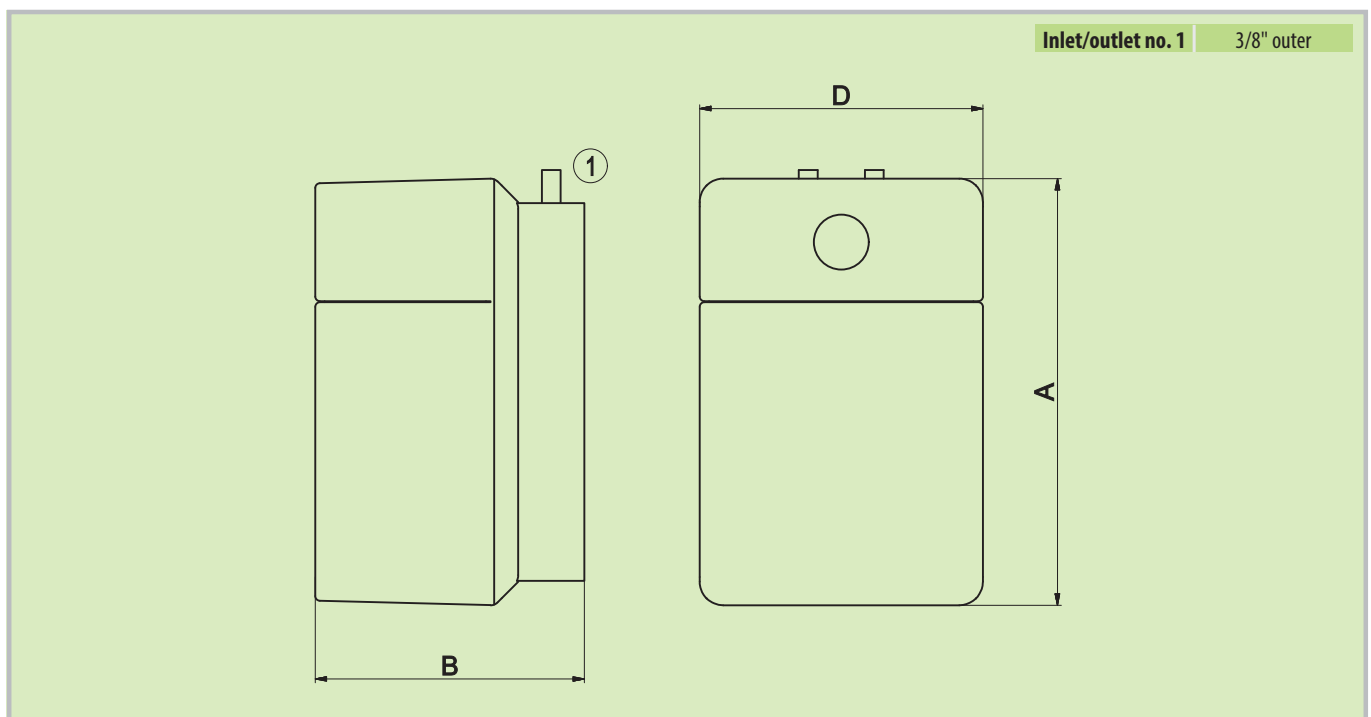




- Capacities of 10 and 15 l
- Copper pressure vessel
- Electrical heating unit with power consumption of 2.2 kW
- Can be placed under (IN) or above (UP) the consumption point



Types of storage tanks		CLOSE 10 UP	CLOSE 10 IN	CLOSE 15 UP	CLOSE 15 IN
Order number		105413201	105413200	105413202	105413203
Capacity	[l]	10,8		15,8	
Weight	[kg]	6,5		7,5	
Power consumption of the el. heating unit	[W]		2200		
Heating time from 10 °C to 60 °C	[min]	20		25	
Electrical connection		1 PE-N 230V/50Hz			
Recommended circuit breaker size	[A]	16			
Degree of protection		IP44			
Max. working temperature / overpressure in tank	[°C]/[bar]	80/8			
Energy efficiency class		A			
Annual consumption	[kWh·a ⁻¹]	512	515	539	529
Dimensions [mm]		A	B	D	
CLOSE 10		452	285	300	
CLOSE 15		452	285	300	





- Capacities of 80–200 l
- Comes in wall-mounted version
- With a 2.2 kW electrical heating unit
- 1 wall-mounted console and support for capacities of 80–125 l; 2 wall-mounted consoles for 160–200 l



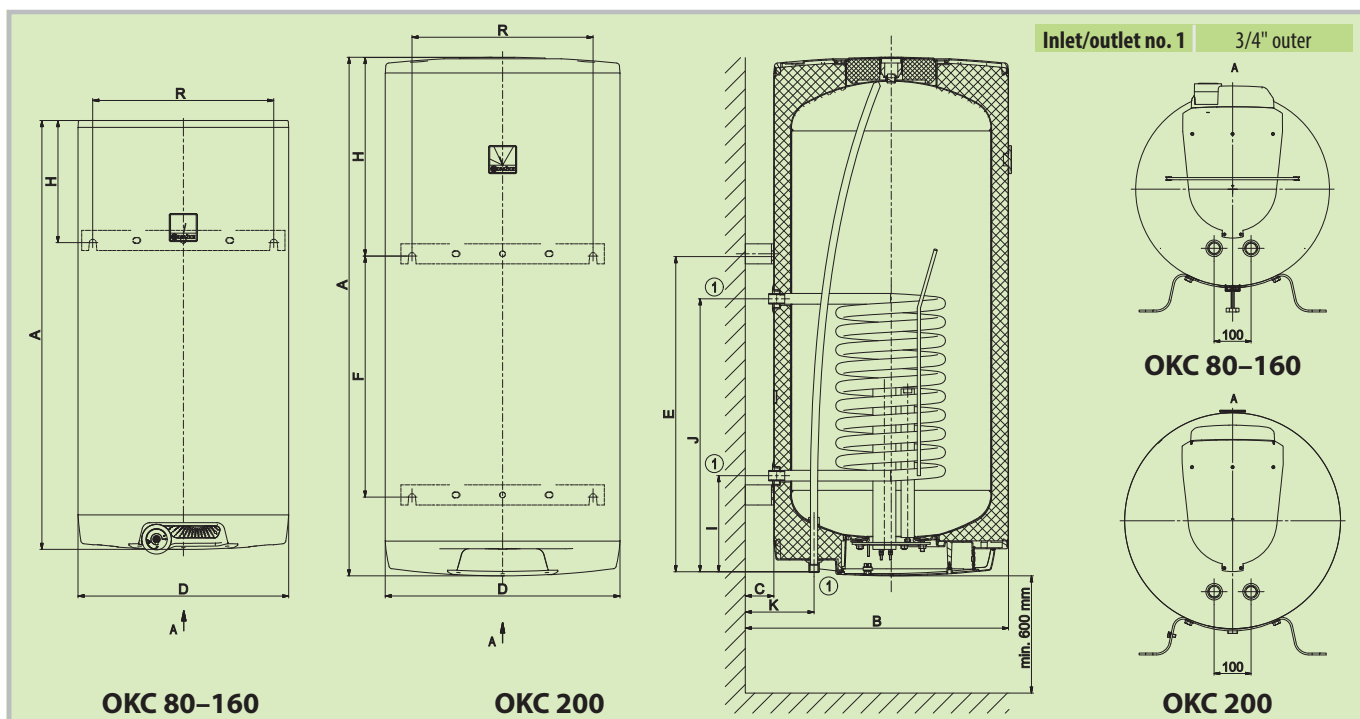
OKC 80-125

OKC 160

OKC 200

Types of storage tanks		OKC 80	OKC 100	OKC 125	OKC 160	OKC 200
Order number		1101208101	1108208101	1103208101	1106208101	110720801
Capacity	[l]	75	95	120	147	195
Max. weight of the empty water heater	[kg]	40	50	55	62	79
Insulation thickness	[mm]			42		
Thermal conductivity of the insulation	[W·m ⁻¹ ·K ⁻¹]			0,022		
Power consumption of the el. heating unit	[W]			2200		
Heating time from 10 °C to 60 °C *	[h]	2,0	2,5	3,2	3,9	5,2
Electrical connection		1/N/PE ~ 230V/50Hz				
Recommended circuit breaker size	[A]				16	
Degree of protection		IP44				
Max. working temperature / overpressure in tank	[°C]/[bar]	90/6				
Heat transfer surface of the exchanger *	[m ²]	0,41	0,68	0,68	0,68	0,68
Capacity of the exchanger *	[l]	1,8	2,9	2,9	2,9	2,9
Max. working temperature / overpressure in exchanger	[°C]/[bar]	110/10				
Power of the exchanger at the 310 l at 80 °C *	[kW]	6	9	9	9	9
Heating time by the exchanger from 10 °C to 60 °C *	[min]	50	48	55	67	86
Energy efficiency class		C				
Annual consumption	[kWh·a ⁻¹]	1342	1362	1409	2622	4403

Dimensions [mm]	A	B	C	D	E	F	H	I	J	K	R
OKC 80	757	612	70	524	605	460	142	211	501	172	450
OKC 100	902	612	70	524	755	610	137	211	651	172	450
OKC 125	1067	612	70	524	755	610	302	211	651	172	450
OKC 160	1255	612	70	524	995	720	250	211	651	172	450
OKC 200	1290	655	70	584	790	600	490	239	679	172	450





- Capacities of 125–200 l
- With a 2.2 kW electrical heating unit
- Suitable for solid fuel boilers
- Now with right-side and left-side versions

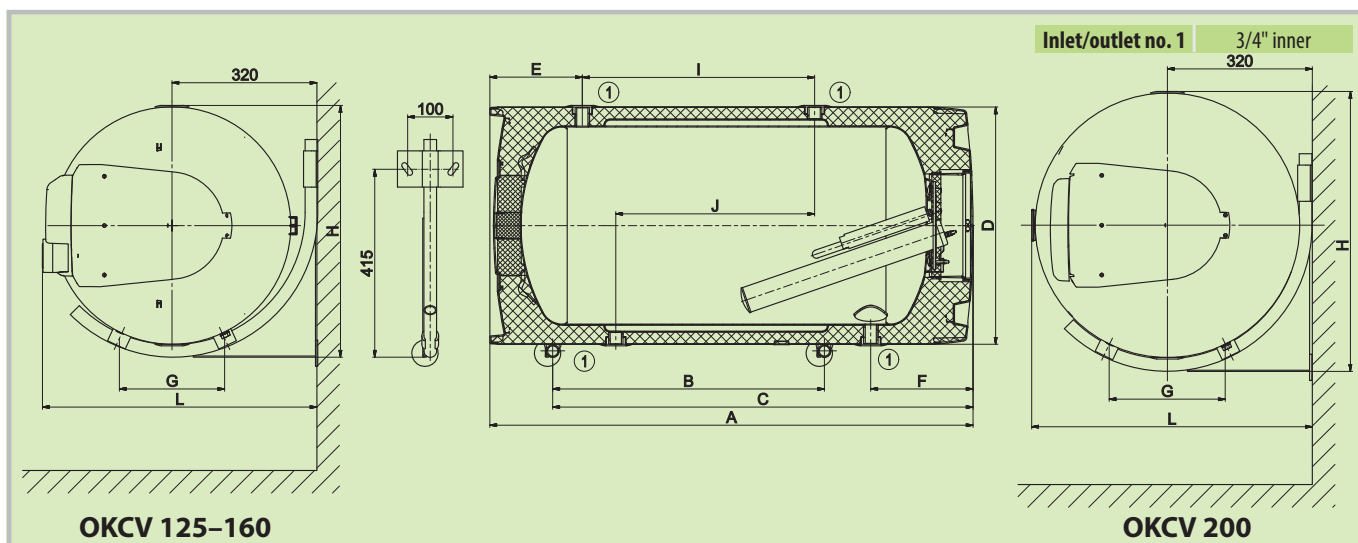


OKCV 125–160

OKCV 200

Types of storage tanks		OKCV 125	OKCV 160	OKCV 200
Order number		1103408111 (right) 1103408112 (left)	1106408111 (right) 1106408112 (left)	1107408111 (right) 1107408112 (left)
Capacity	[l]	125	152	200
Max. weight of the empty water heater	[kg]	63	69	85
Insulation thickness	[mm]		42	
Thermal conductivity of the insulation	[W·m ⁻¹ ·K ⁻¹]		0,022	
Power consumption of the el. heating unit	[W]		2200	
Heating time from 10 °C to 60 °C *	[h]	3,3	4,0	5,3
Electrical connection			1/N/PE ~ 230V/50Hz	
Recommended circuit breaker size	[A]		16	
Degree of protection			IP42	
Max. working temperature / overpressure in tank	[°C]/[bar]		90/6	
Heat transfer surface of the exchanger *	[m ²]	0,7	0,7	0,75
Capacity of the exchanger *	[l]	11	11	12
Max. working temperature / overpressure in exchanger	[°C]/[bar]		110/4	
Power of the exchanger at the 310 l at 80 °C *	[kW]	10	10	11
Heating time by the exchanger from 10 °C to 60 °C *	[min]	43	53	72
Energy efficiency class			C	
Annual consumption	[kWh·a ⁻¹]	2614	2691	4324

Dimensions [mm]	A	B	C	D	E	F	G	H	I	J	L
OKCV 125	1067	600	928	524	204	226	230	556	513	439	606
OKCV 160	1255	750	1060	524	254	226	230	556	649	439	606
OKCV 200	1290	600	936	584	258	246	250	618	670	439	618





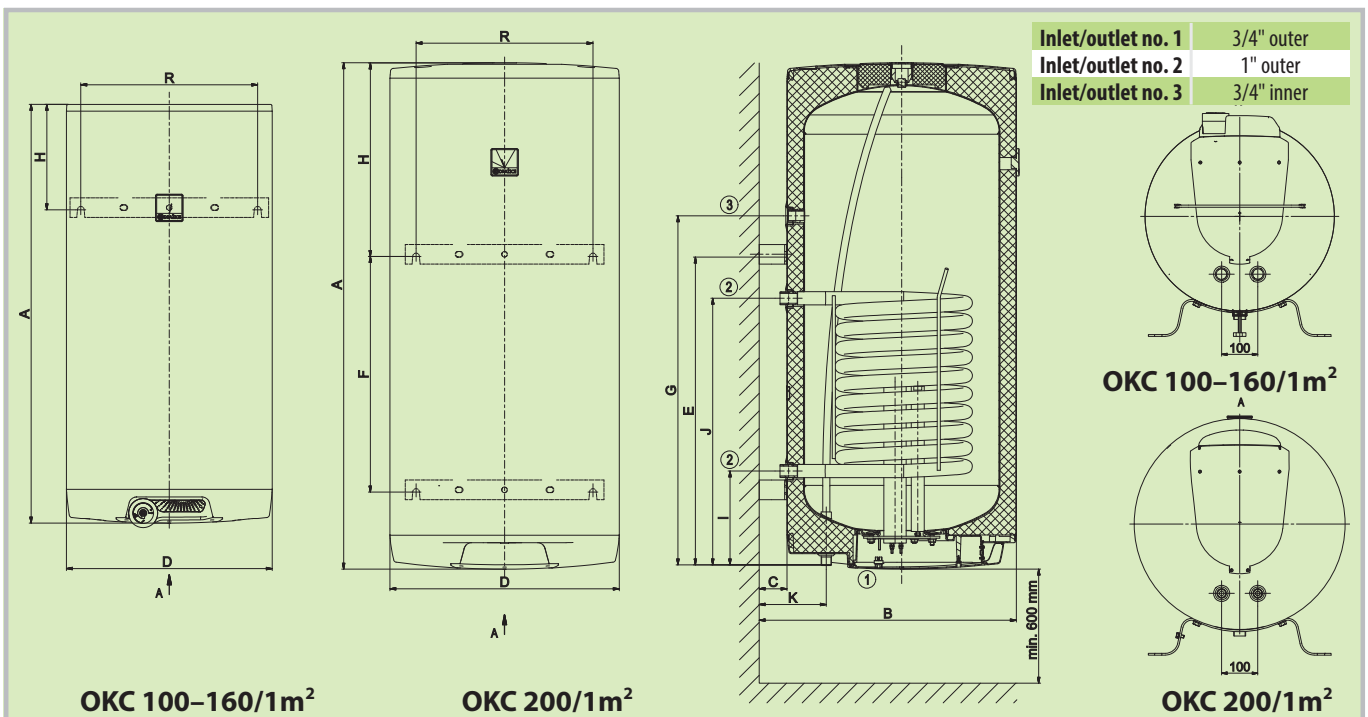
- Capacities of 100–200 l
- Comes in wall-mounted version
- With a 2.2 kW electrical heating unit
- In version with 1 m² exchanger the storage tank is suitable for boilers using various fuels and for condensing boilers
- 1 wall-mounted console and support for capacities of 100 and 125 l; 2 wall-mounted consoles for 160–200 l
- Equipped with inlet/outlet for circulation



OKC 100–125/1m² OKC 160/1m² OKC 200/1m²

Types of storage tanks		OKC 100/1m ²	OKC 125/1m ²	OKC 160/1m ²	OKC 200/1m ²
Order number		1108209101	1103209101	1106209101	1107209101
Capacity	[l]	95	120	147	195
Max. weight of the empty water heater	[kg]	57	64	71	85
Insulation thickness	[mm]	42			
Thermal conductivity of the insulation	[W·m ⁻¹ ·K ⁻¹]	0,022			
Power consumption of the el. heating unit	[W]	2200			
Heating time from 10 °C to 60 °C *	[h]	2,5	3,2	3,9	5,2
Electrical connection		1/N/PE ~ 230V/50Hz			
Recommended circuit breaker size	[A]	16			
Degree of protection		IP44			
Max. working temperature / overpressure in tank	[°C]/[bar]	90/6			
Heat transfer surface of the exchanger *	[m ²]	1,08			
Capacity of the exchanger *	[l]	7,1			
Max. working temperature / overpressure in exchanger	[°C]/[bar]	110/10			
Power of the exchanger at the 720 l at 80 °C *	[kW]	24			
Heating time by the exchanger from 10 °C to 60 °C *	[min]	14	17	21	28
Energy efficiency class		B		C	
Static loss	[W]	47	57	67	72

Dimensions [mm]	A	B	C	D	E	F	G	H	I	J	K	R
OKC 100/1 m ²	902	612	70	524	622	478	550	270	263	703	172	450
OKC 125/1 m ²	1067	612	70	524	789	645	550	268	263	703	172	450
OKC 160/1 m ²	1255	612	70	524	991	815	830	254	263	703	172	450
OKC 200/1 m ²	1290	655	70	584	784	600	889	496	239	679	172	450





- Capacities of 80–200 l
- Comes in wall-mounted version
- Version with capacity of 80 l has 0.41 m² exchanger and other capacities have 1 m² exchanger
- Suitable for boilers using various fuels and for condensing boilers
- 1 wall-mounted console and support for capacities of 80–125 l;
2 wall-mounted consoles for 160–200 l



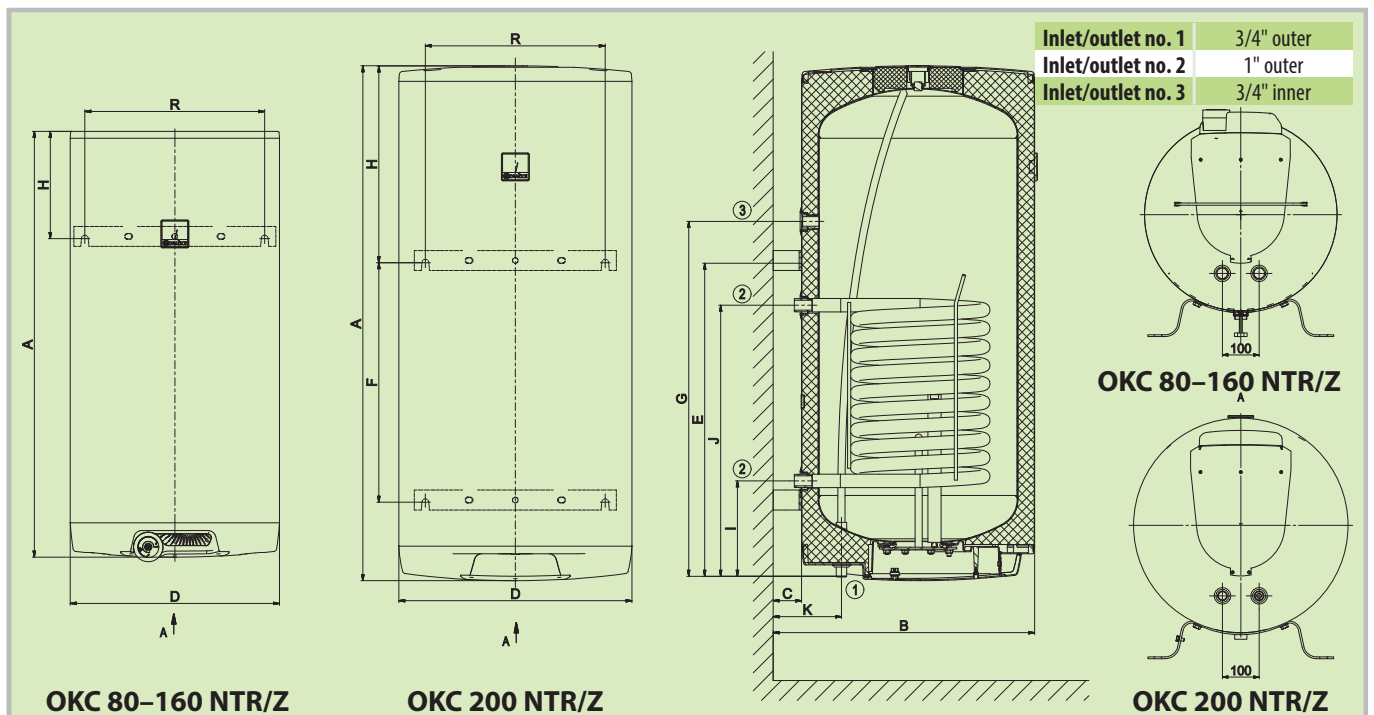
OKC 80–125 NTR/Z

OKC 160 NTR/Z

OKC 200 NTR/Z

Types of storage tanks		OKC 80 NTR/Z	OKC 100 NTR/Z	OKC 125 NTR/Z	OKC 160 NTR/Z	OKC 200 NTR/Z	
Order number		1101508101	1108508101	1103508101	1106508101	110750801	
Capacity	[l]	76	95	120	148	196	
Max. weight of the empty water heater	[kg]	38	56	61	70	84	
Insulation thickness	[mm]						42
Thermal conductivity of the insulation	[W·m ⁻¹ ·K ⁻¹]						0,022
Electrical connection							1/N/PE ~ 230V/50Hz
Degree of protection							IP44
Max. working temperature / overpressure in tank	[°C]/[bar]						90/6
Heat transfer surface of the exchanger *	[m ²]	0,41	1,08	1,08	1,08	1,08	
Capacity of the exchanger *	[l]	1,8	7,1	7,1	7,1	7,1	
Max. working temperature / overpressure in exchanger	[°C]/[bar]						110/10
Power of the exchanger at the 720 l at 80 °C *	[kW]	9	24	24	24	24	
Heating time by the exchanger from 10 °C to 60 °C *	[min]	29	14	17	22	28	
Energy efficiency class							B
Static loss	[W]	40	47	57	67	72	

Dimensions [mm]	A	B	C	D	E	F	G	H	I	J	K	R
OKC 80 NTR/Z	757	612	70	524	605	460	–	142	211	501	172	450
OKC 100 NTR/Z	902	612	70	524	622	478	550	270	263	703	172	450
OKC 125 NTR/Z	1067	612	70	524	789	645	550	268	263	703	172	450
OKC 160 NTR/Z	1255	612	70	524	991	815	830	254	263	703	172	450
OKC 200 NTR/Z	1290	655	70	584	784	600	889	496	239	679	172	450



OKCE NTR/2,2 kW

HOT WATER STORAGE TANKS
Floor-standing

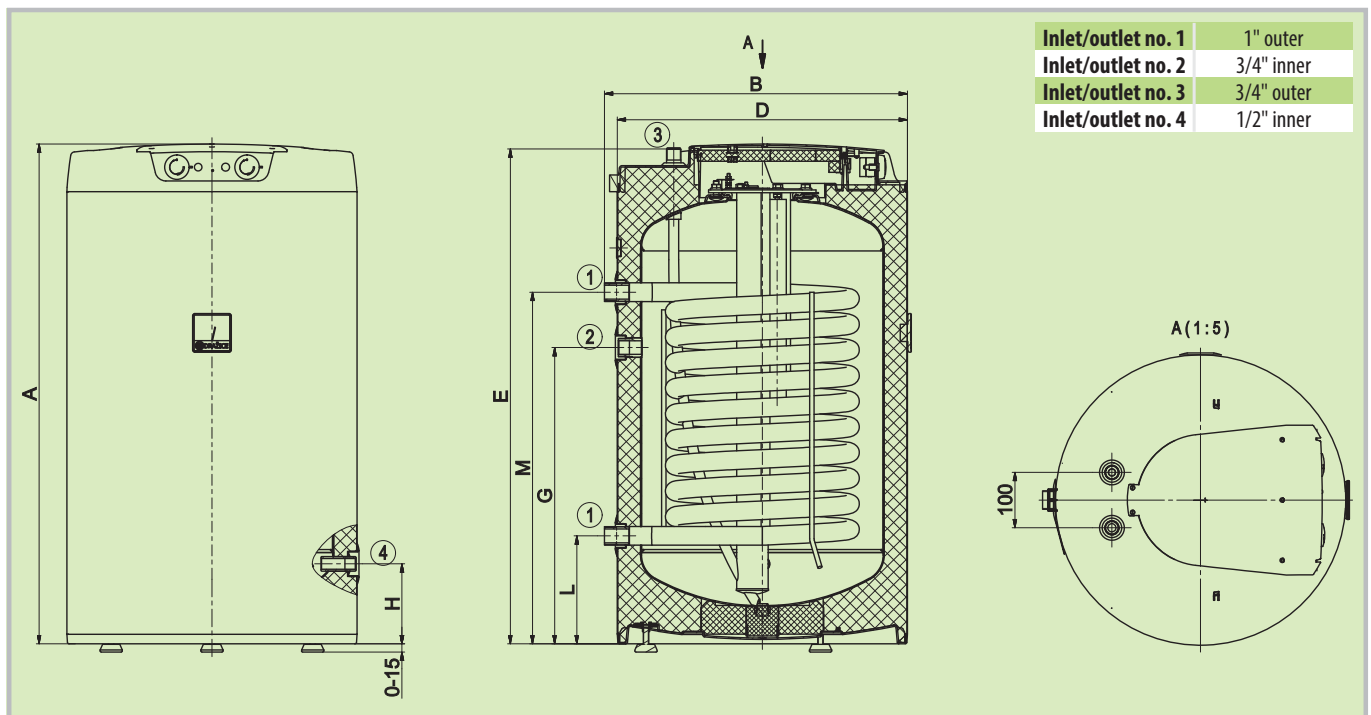


- Capacities of 100–125 l
- Storage tanks have inlet/outlet for circulation connection
- With a single-phase 2.2 kW electrical heating unit
- Storage tanks have discharge outlet enclosed



Types of storage tanks		OKCE 100 NTR/2,2kW	OKCE 125 NTR/2,2kW
Order number		1108701101	1103701101
Capacity	[l]	87	113
Max. weight of the empty water heater	[kg]	58	70
Insulation thickness	[mm]	42	42
Thermal conductivity of the insulation	[W·m ⁻¹ ·K ⁻¹]	0,022	
Power consumption of the el. heating unit	[W]	2200	
Heating time from 10 °C to 60 °C *	[h]	2,3	3,0
Electrical connection		1/N/PE ~ 230V/50Hz	
Recommended circuit breaker size	[A]	16	
Degree of protection		IP42	
Max. working temperature / overpressure in tank	[°C]/[bar]	90/6	
Heat transfer surface of the exchanger *	[m ²]	1,08	1,45
Capacity of the exchanger*	[l]	7,1	9,5
Max. working temperature / overpressure in exchanger	[°C]/[bar]	110/10	
Power of the exchanger at the 720 l at 80 °C *	[kW]	24	32
Heating time by the exchanger from 10 °C to 60 °C *	[min]	13	12
Energy efficiency class		B	C
Static loss	[W]	42	54

Dimensions [mm]	A	B	D	E	G	H	L	M
OKCE 100 NTR/2,2 kW	902	545	524	892	535	145	195	635
OKCE 125 NTR/2,2 kW	1067	545	524	1057	635	145	195	765



OKC NTR(R)/BP

HOT WATER STORAGE TANKS Floor-standing indirect heating



- Capacities of 160–1000 l
- Storage tank has a side flange used as an inspection hole
- TPK electrical heating unit can be installed in side flange
- TJ 6/4" electrical heating unit can be installed for capacities of 200–1000 l

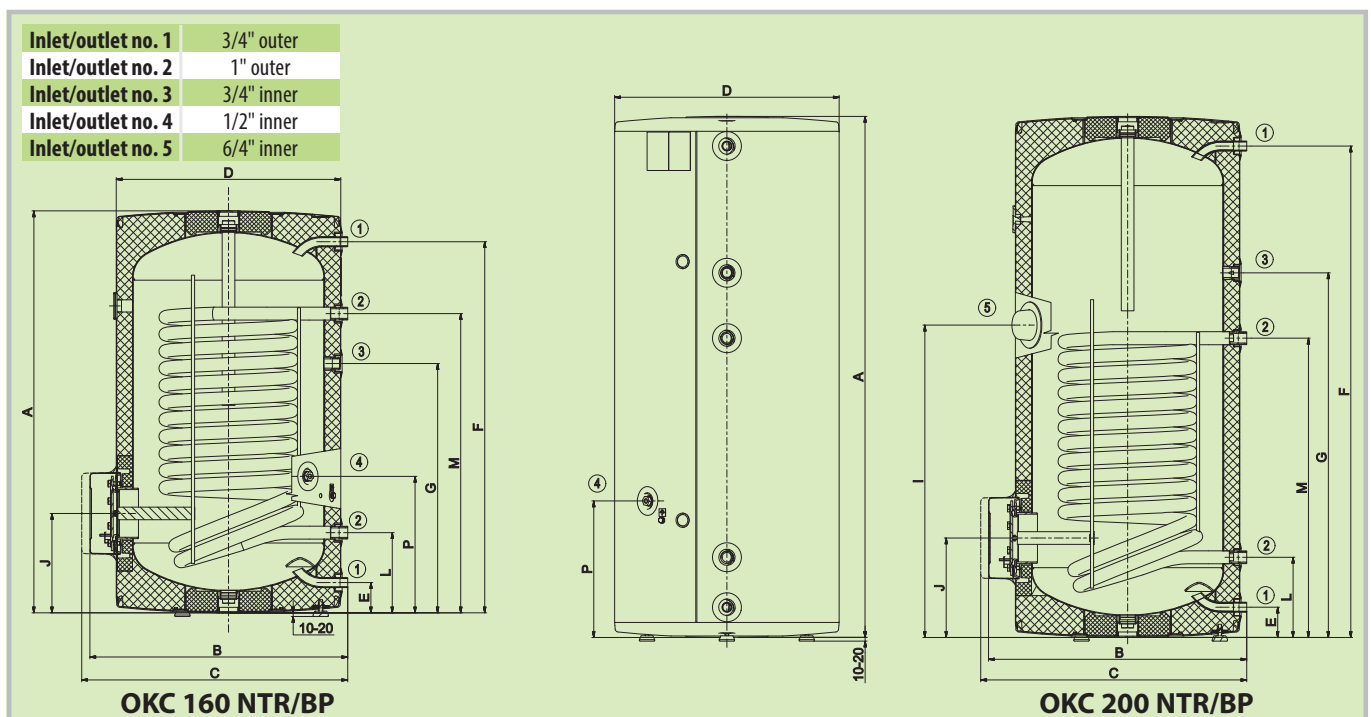


OKC 160 NTR/BP

OKC 200 NTR/BP

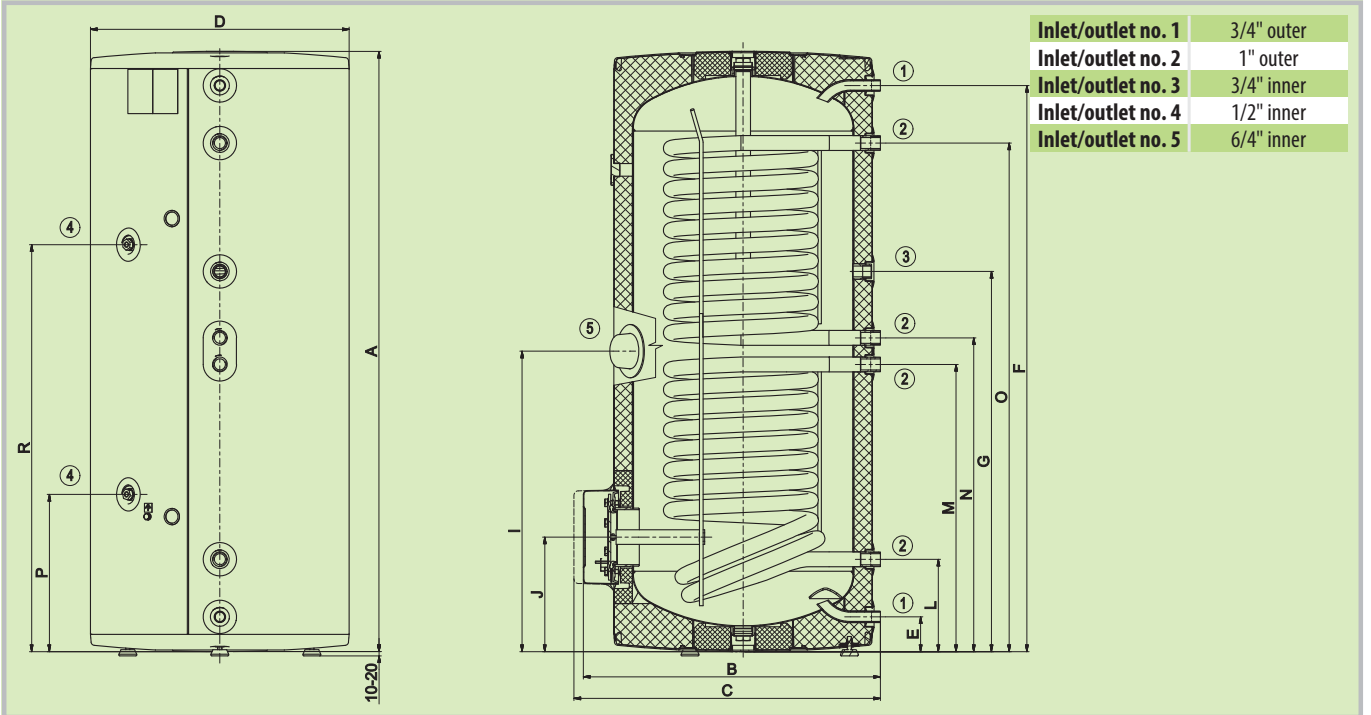
Types of storage tanks		OKC 160 NTR/BP	OKC 200 NTR(R)/BP	OKC 250 NTR(R)/BP	OKC 300 NTR(R)/BP
Order number		110670101	110770101 (110790101)	110970101 (110990101)	121070101 (121090101)
Capacity	[l]	148	208 (200)	242 (234)	296 (285)
Max. weight of the empty water heater	[kg]	76	92 (103)	94 (107)	108 (126)
Insulation thickness	[mm]	42	42	42	60
Thermal conductivity of the insulation	[W·m ⁻¹ ·K ⁻¹]		0,022		0,021 (0,022)
Max. working temperature / overpressure in tank	[°C]/[bar]		90/6		90/10
Heat transfer surface of the exchanger* (top/bottom)	[m ²]	1,45	1,45 (1/1)	1,45 (1/1)	1,5 (1/1,5)
Capacity of the exchanger* (top/bottom)	[l]	9,5	9,5 (7/7)	9,5 (7/9,5)	10,5 (7/10,5)
Max. working temperature / overpressure in exchanger	[°C]/[bar]		110/10		
Power of the exchanger at the 720 l at 80 °C*	[kW]	32	32 (24/24)	32 (24/32)	35 (24/35)
Heating time by the exchanger from 10 °C to 60 °C*	[min]	16	23 (14/14)	26 (14/17)	30 (16/24)
Energy efficiency class			C		
Static loss	[W]	75	82	87	83

Dimensions [mm]	A	B	C	D	E	F	G	I	J	L	M	P
OKC 160 NTR/BP	1047	660	705	584	80	966	649	–	259	209	779	355
OKC 200 NTR/BP	1357	660	705	584	80	1280	949	813	259	209	779	355
OKC 250 NTR/BP	1537	660	705	584	80	1460	1060	813	259	209	779	355





Dimensions [mm]	A	B	C	D	E	F	G	I	J	L	M	N	O	P	R
OKC 200 NTRR/BP	1357	660	705	584	80	1280	859	680	259	209	649	709	1149	355	920
OKC 250 NTRR/BP	1537	660	705	584	80	1460	1060	680	259	209	649	889	1329	355	1100



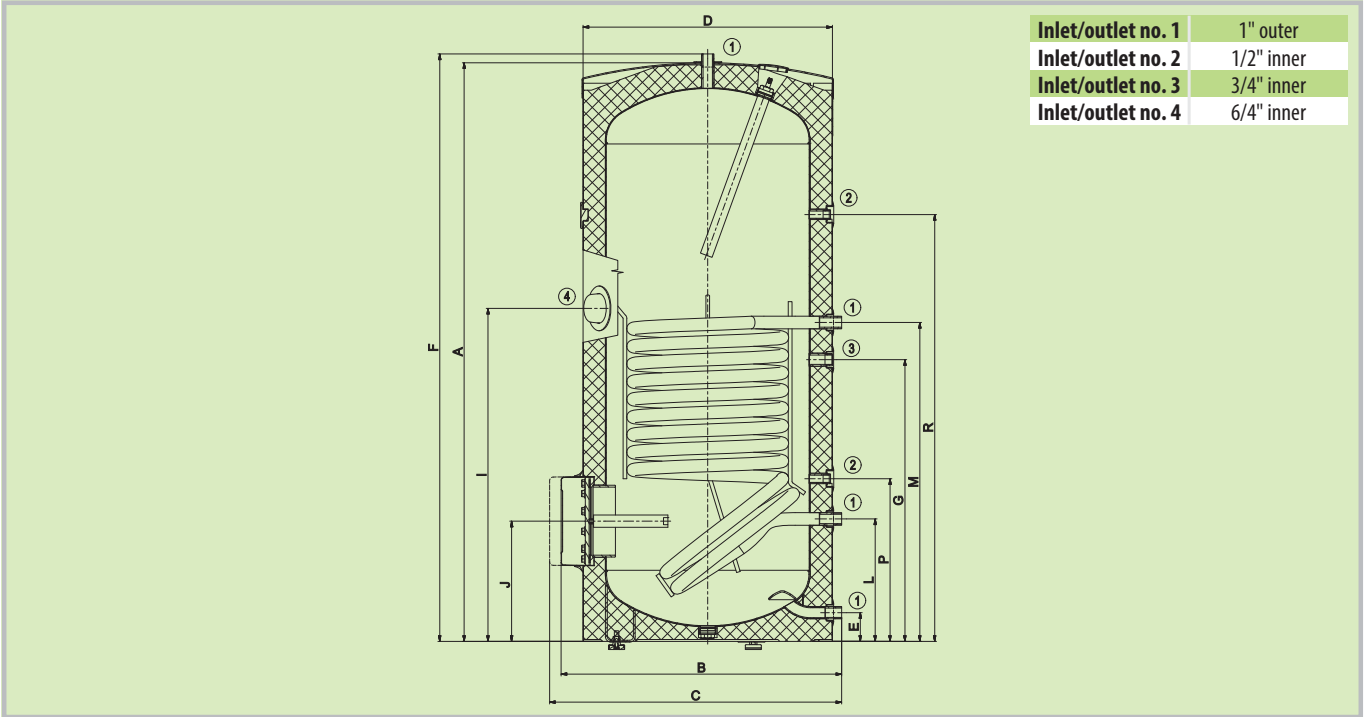
OKC 300 NTR/BP



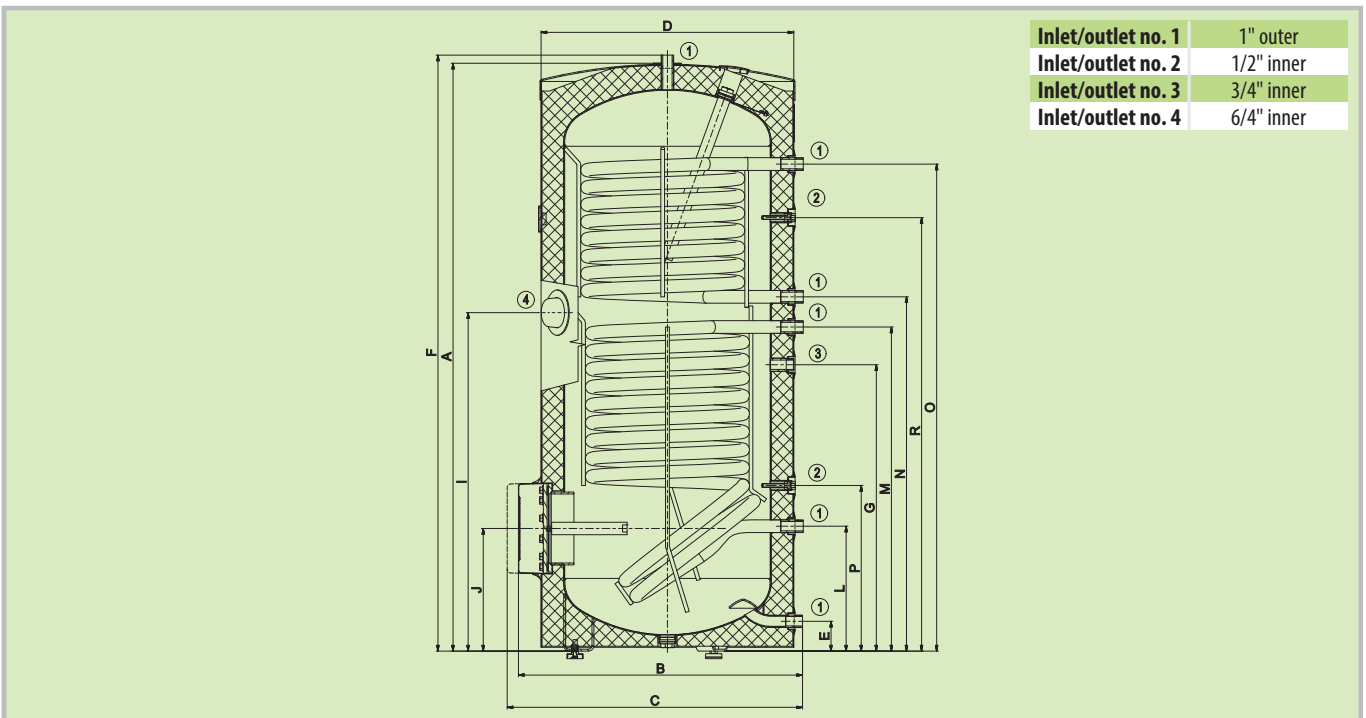
OKC 300 NTRR/BP



Dimensions [mm]	A	B	C	D	E	F	G	I	J	L	M	P	R
OKC 300 NTR/BP	1558	750	810	670	77	1579	760	895	325	330	858	438	1148



Dimensions [mm]	A	B	C	D	E	F	G	I	J	L	M	N	O	P	R
OKC 300 NTRR/BP	1558	750	810	670	77	1579	760	895	325	330	858	939	1291	438	1148





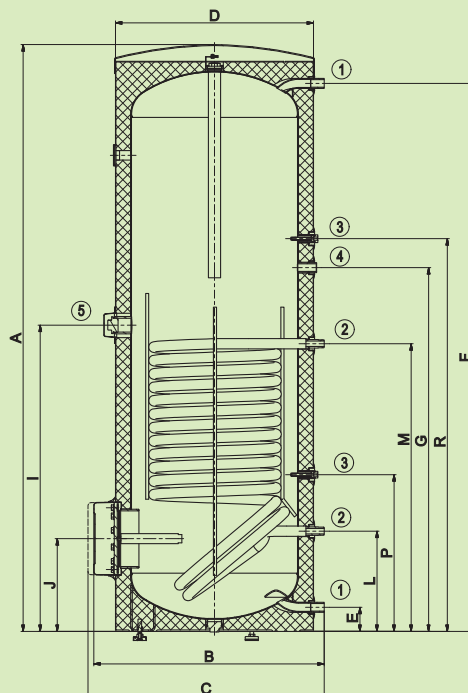
OKC 400, 500 NTR/BP



OKC 400, 500 NTRR/BP

Types of storage tanks		OKC 400 NTR(R)/BP	OKC 500 NTR(R)/BP	OKC 750 NTR(R)/BP	OKC 1000 NTR(R)/BP
Order number		121470101 (121490101)	121370101 (121390101)	105513053 (105013054)	105513055 (105013056)
Capacity	[l]	373 (363)	447 (433)	725 (710)	945 (930)
Max. weight of the empty water heater	[kg]	139 (153)	137 (158)	208 (197)	260 (248)
Insulation thickness	[mm]	50		80	
Thermal conductivity of the insulation	[W·m ⁻¹ ·K ⁻¹]	0,021		0,032	
Max. working temperature / overpressure in tank	[°C]/[bar]	90/10		95/10	
Heat transfer surface of the exchanger * (top/bottom)	[m ²]	2,0 (1,0/2,0)	2,0 (1,4/2,0)	3,7 (1,17/1,93)	4,5 (1,12/2,45)
Capacity of the exchanger * (top/bottom)	[l]	14,0 (7,0/14,0)	14,0 (9,0/14,0)	32,5 (8,2/13,5)	39,0 (7,9/17,1)
Max. working temperature / overpressure in exchanger	[°C]/[bar]	110/10			
Power of the exchanger at the 720 l at 80 °C *	[kW]	58 (26/58)	58 (37/58)	99 (33/60)	110 (32/76)
Heating time by the exchanger from 10 °C to 60 °C *	[min]	22 (22/23)	26 (26/27)	24 (28/37)	26 (37/43)
Energy efficiency class		C			
Static loss	[W]	99 (102)	110 (111)	127 (129)	140 (142)

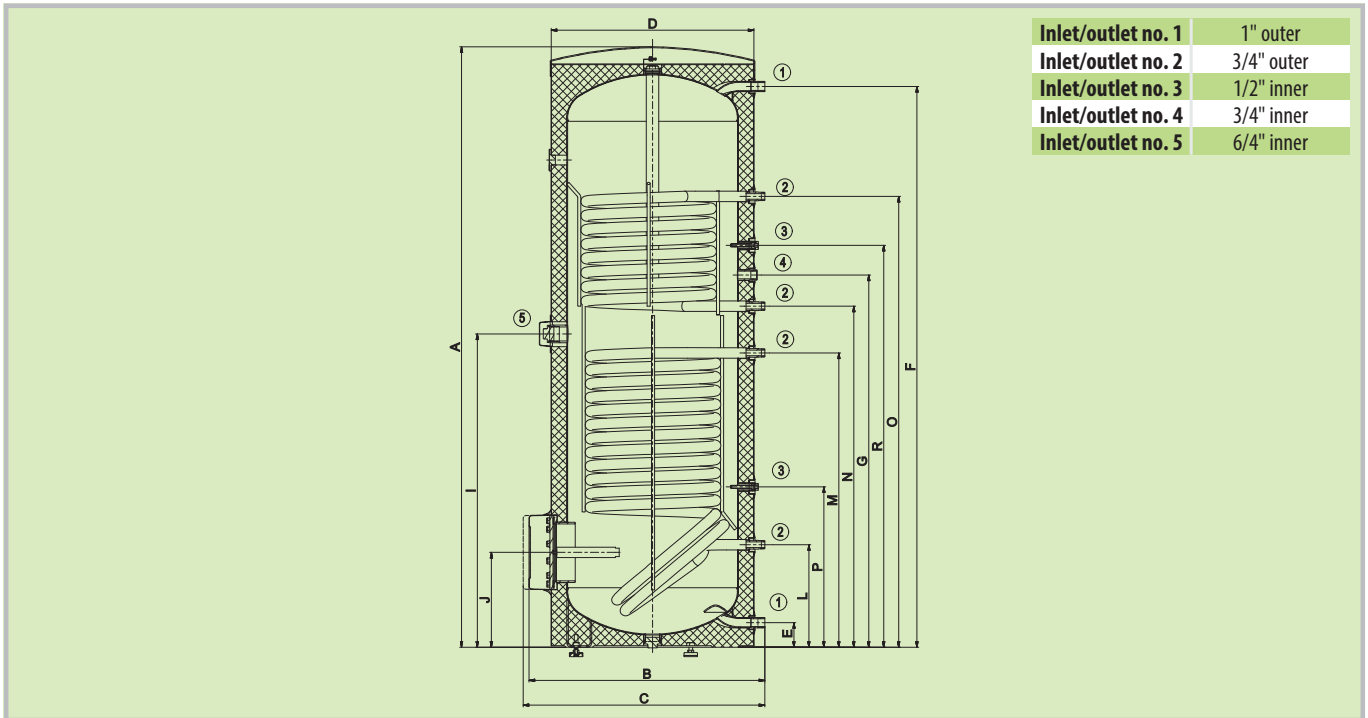
Dimensions [mm]	A	B	C	D	E	F	G	I	J	L	M	P	R
OKC 400 NTR/BP	1920	750	810	650	79	1799	1194	1005	304	329	944	514	1289
OKC 500 NTR/BP	1924	800	860	700	55	1790	1264	1040	288	220	965	380	1409



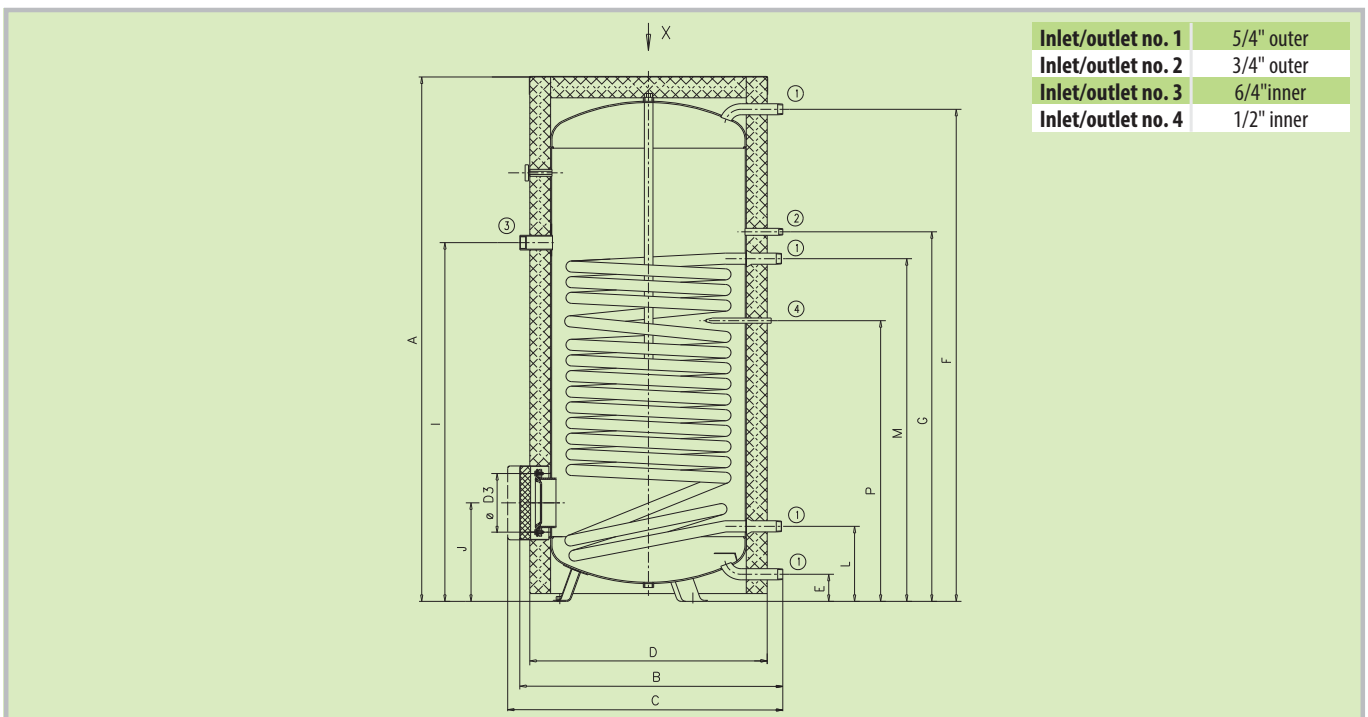
Inlet/outlet no. 1	1" outer
Inlet/outlet no. 2	3/4" outer
Inlet/outlet no. 3	3/4" inner
Inlet/outlet no. 4	1/2" inner
Inlet/outlet no. 5	6/4" inner



Dimensions [mm]	A	B	C	D	E	F	G	I	J	L	M	N	O	P	R
OKC 400 NTRR/BP	1920	750	810	650	79	1799	1194	1005	304	329	944	1094	1446	514	1289
OKC 500 NTRR/BP	1924	800	860	700	55	1790	1264	1040	288	220	965	1114	1604	380	1409

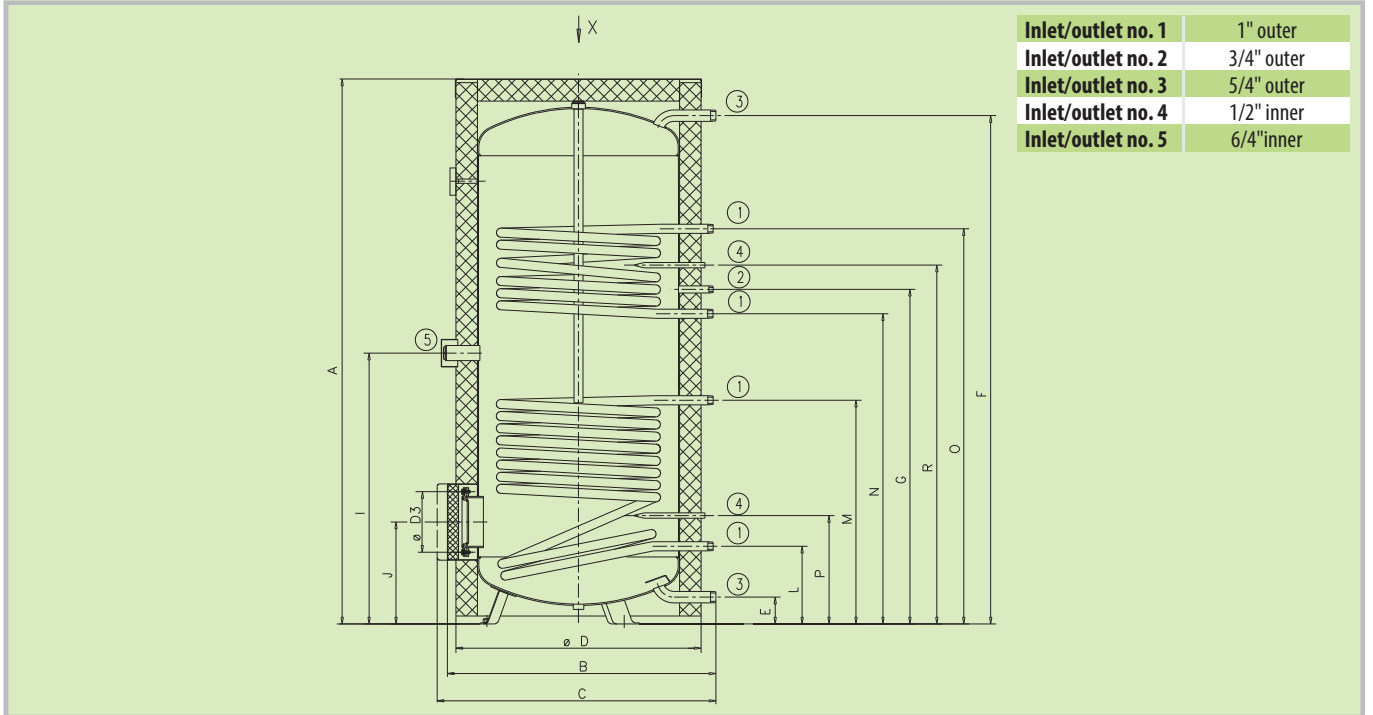


Dimensions [mm]	A	B	C	D	D3	E	F	G	I	J	L	M	P
OKC 750 NTR/BP	2030	1030	max. 1140	910	225	106	1890	1422	1380	383	293	1319	1081
OKC 1000 NTR/BP	2050	1130	max. 1240	1010	225	103	1900	1490	1375	386	296	1324	1088





Dimensions [mm]	A	B	C	D	D3	E	F	G	I	J	L	M	N	O	P	R
OKC 750 NTRR/BP	2030	1030	max. 1140	910	225	106	1890	1246	1009	383	293	835	1156	1471	407	1336
OKC 1000 NTRR/BP	2050	1130	max. 1240	1010	225	103	1900	1243	1024	386	296	884	1153	1423	411	1333



Inlet/outlet no. 1	1" outer
Inlet/outlet no. 2	3/4" outer
Inlet/outlet no. 3	5/4" outer
Inlet/outlet no. 4	1/2" inner
Inlet/outlet no. 5	6/4" inner

OKC NTR(R)

HOT WATER STORAGE TANKS
Floor-standing indirect heating



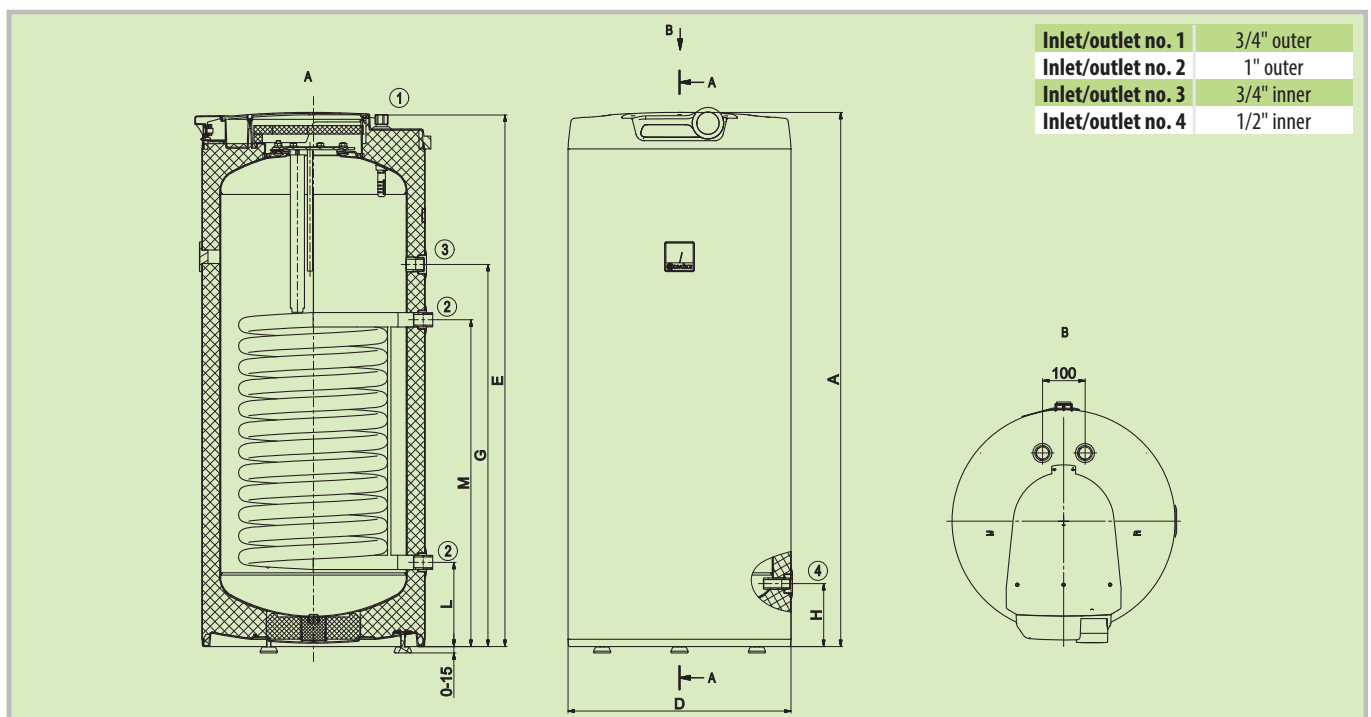
- Capacities of 100–250 l
- Two exchangers possible for volumes of from 200 l and up
- Service water inlet and outlet through top lid for capacities of 100–160 l
- Capacities of 100–160 l have discharge outlet enclosed



OKC 100–160 NTR OKC 200, 250 NTR

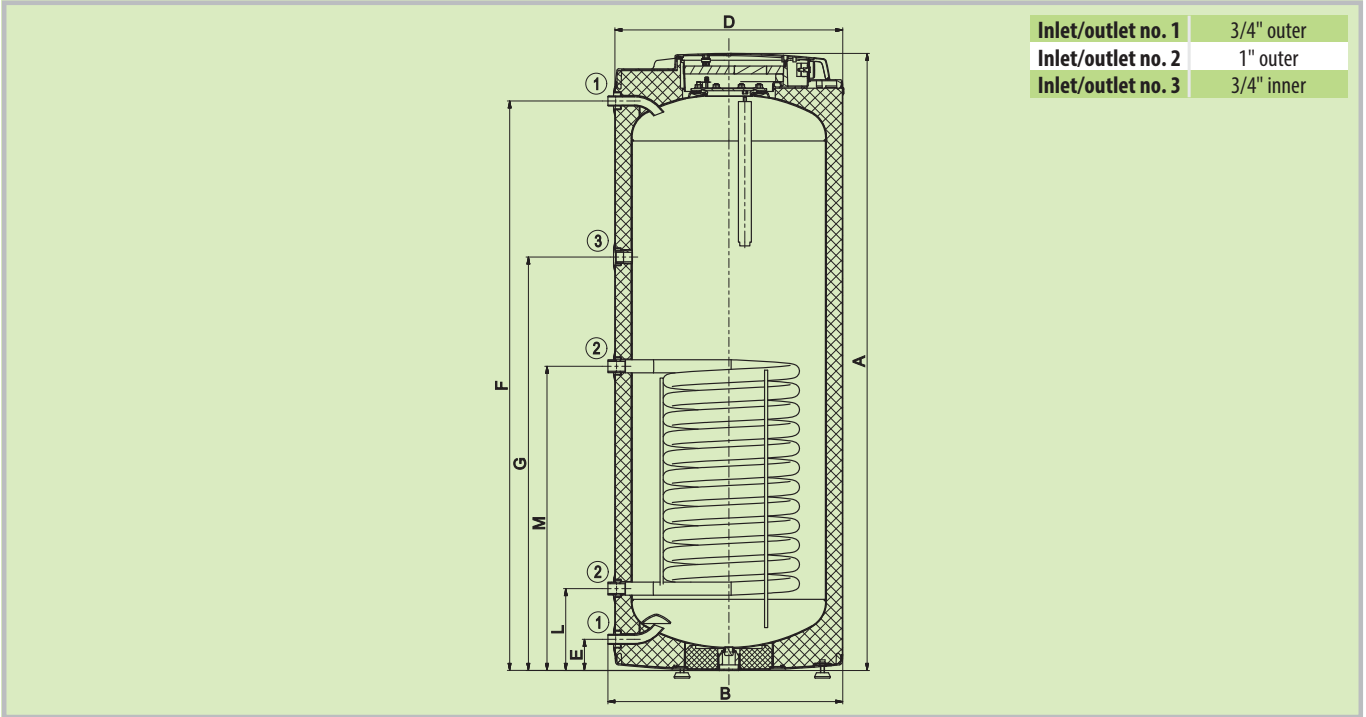
Types of storage tanks		OKC 100 NTR	OKC 125 NTR	OKC 160 NTR	OKC 200 NTR(R)	OKC 250 NTR(R)	
Order number		1108708101	1103708101	1106708101	110770801 (110790801)	110970801 (110990801)	
Capacity	[l]	87	112	148	208 (200)	242 (234)	
Max. weight of the empty water heater	[kg]	53	66	73	93 (102)	92 (104)	
Insulation thickness	[mm]						42
Thermal conductivity of the insulation	[W·m ⁻¹ ·K ⁻¹]						0,022
Electrical connection							1/N/PE ~ 230V/50Hz
Degree of protection							IP42
Max. working temperature / overpressure in tank	[°C]/[bar]						90/6
Heat transfer surface of the exchanger* (top/bottom)	[m ²]	1,08	1,45	1,45	1,45 (1/1)	1,45 (1/1)	
Capacity of the exchanger* (top/bottom)	[l]	7,1	9,5	9,5	9,5 (7/7)	9,5 (7/7)	
Max. working temperature / overpressure in exchanger	[°C]/[bar]						110/10
Power of the exchanger at the 720 l at 80 °C *	[kW]	24	32	32	32 (24/24)	32 (24/24)	
Heating time by the exchanger from 10 °C to 60 °C *	[min]	13	12	16	23 (13/25)	26 (14/28)	
Energy efficiency class		B		C			
Static loss	[W]	42	54	75	82	87	

Dimensions [mm]	A	B	D	E	G	H	L	M
OKC 100 NTR	902	565	524	893	535	145	195	635
OKC 125 NTR	1067	565	524	1058	635	145	195	765
OKC 160 NTR	1255	565	524	1246	897	145	195	765

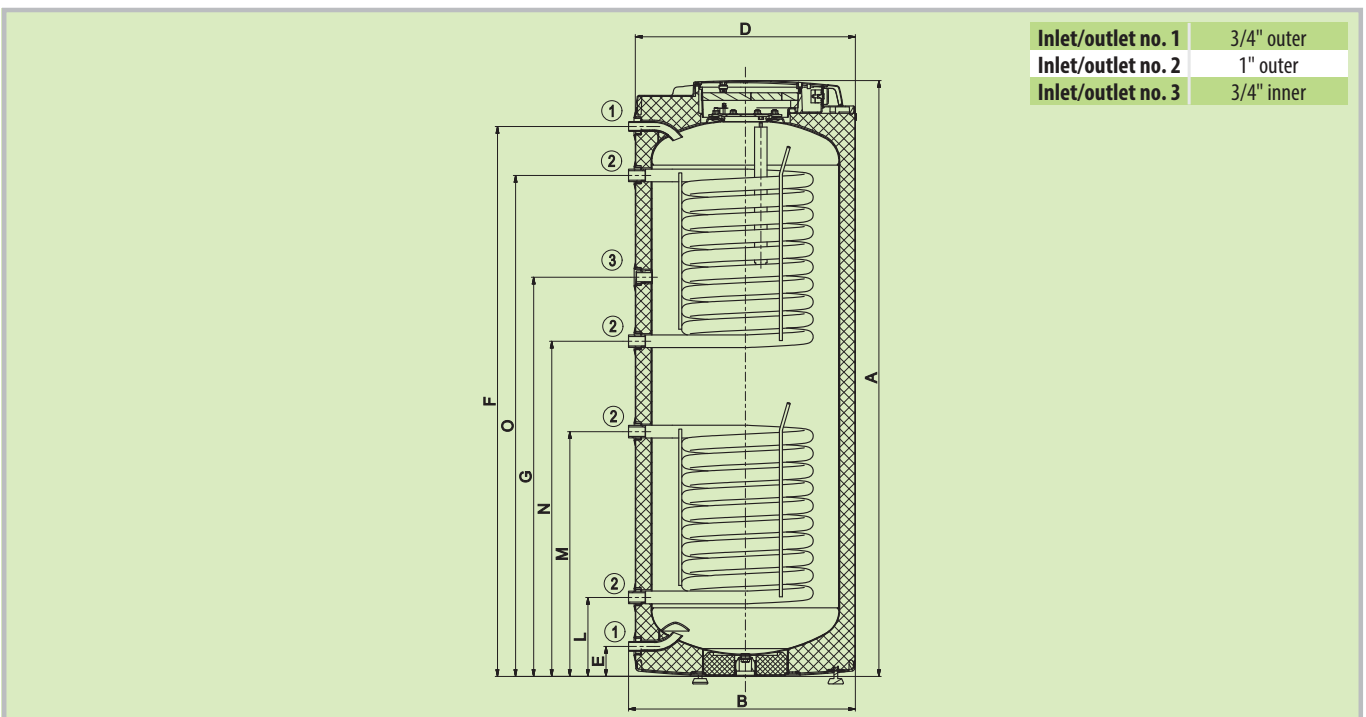




Dimensions [mm]	A	B	D	E	F	G	L	M
OKC 200 NTR	1400	603	584	80	1280	950	209	779
OKC 250 NTR	1580	603	584	80	1460	1060	209	779



Dimensions [mm]	A	B	D	E	F	G	L	M	N	O
OKC 200 NTRR	1400	603	584	80	1280	950	209	649	709	1149
OKC 250 NTRR	1580	603	584	80	1460	1060	209	649	889	1329



OKC NTR/HV

HOT WATER STORAGE TANKS
Floor-standing indirect heating



- Capacities of 100–160 l
- Inlets and outlets of all media through the top lid
- Storage tanks suitable for installation under wall-mounted boilers
- Storage tanks have discharge outlet enclosed

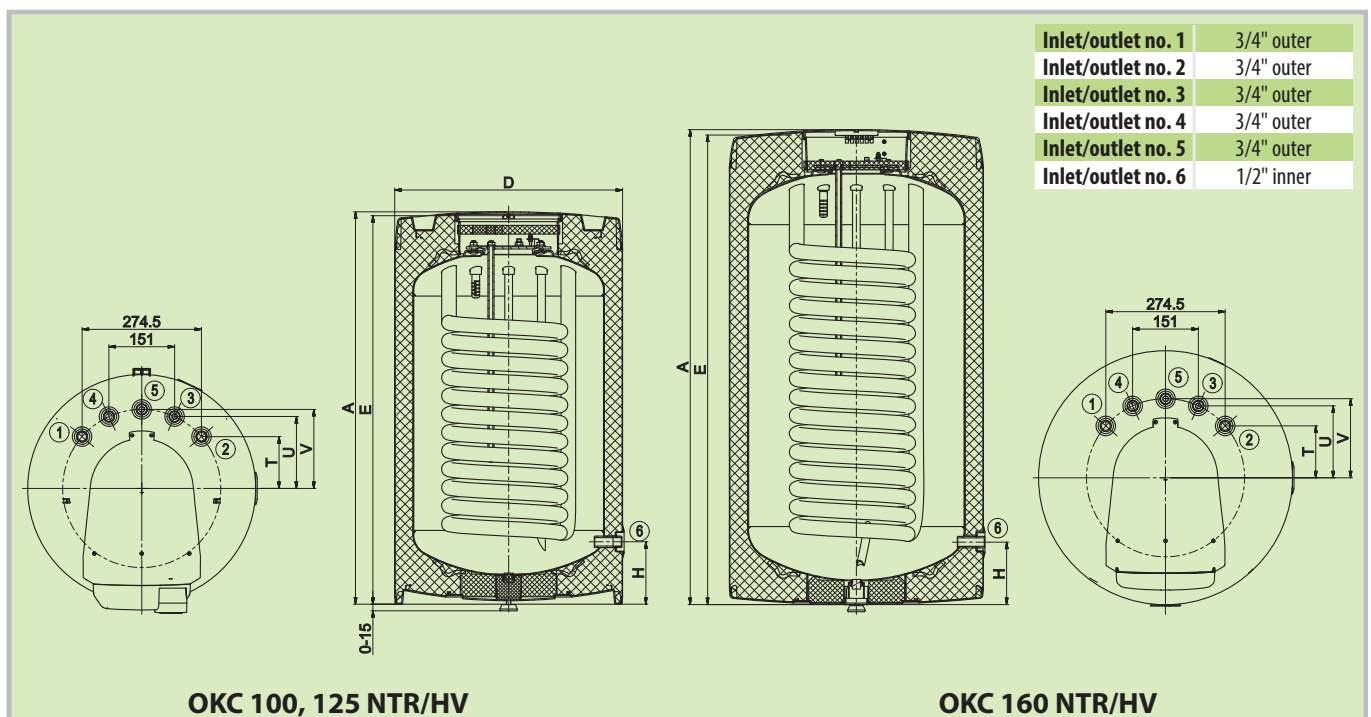


OKC 100, 125 NTR/HV

OKC 160 NTR/HV

Types of storage tanks		OKC 100 NTR/HV	OKC 125 NTR/HV	OKC 160 NTR/HV
Order number		1108706101	1103706101	110670601
Capacity	[l]	87	113	144
Max. weight of the empty water heater	[kg]	53	64	77
Insulation thickness	[mm]		42	
Thermal conductivity of the insulation	[W·m ⁻¹ ·K ⁻¹]		0,022	
Electrical connection			1/N/PE ~ 230V/50Hz	
Degree of protection			IP42	
Max. working temperature / overpressure in tank	[°C]/[bar]		90/6	
Heat transfer surface of the exchanger *	[m ²]	1,08	1,45	1,45
Capacity of the exchanger *	[l]	7,1	9,5	9,5
Max. working temperature / overpressure in exchanger	[°C]/[bar]		110/10	
Power of the exchanger at the 720 l at 80 °C *	[kW]	24	32	32
Heating time by the exchanger from 10 °C to 60 °C *	[min]	13	12	16
Energy efficiency class		B	C	
Static loss	[W]	42	65	65

Dimensions [mm]	A	D	E	H	T	U	V
OKC 100 NTR/HV	902	524	892	145	119	165	182
OKC 125 NTR/HV	1067	524	1057	145	119	165	182
OKC 160 NTR/HV	1092	584	1079	146	119	165	182



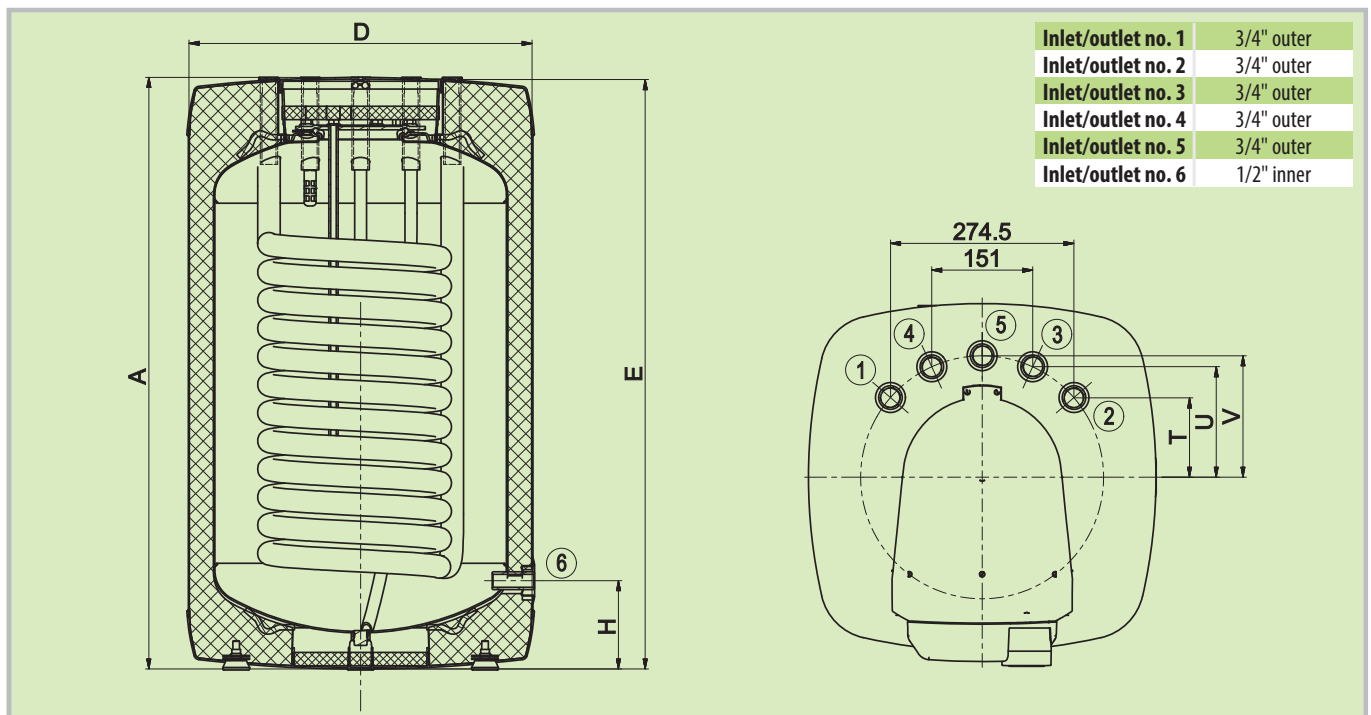


- Capacities of 100–125 l
- Inlets and outlets of all media through the top lid
- Storage tanks suitable for installation under wall-mounted boilers
- Storage tanks have discharge outlet enclosed



Types of storage tanks		OKH 100 NTR/HV	OKH 125 NTR/HV
Order number		140870601	140370601
Capacity	[l]	87	115
Max. weight of the empty water heater	[kg]	55	67
Insulation thickness	[mm]		až 80
Thermal conductivity of the insulation	[W·m ⁻¹ ·K ⁻¹]		0,022
Electrical connection		1/N/PE ~ 230V/50Hz	
Degree of protection		IP42	
Max. working temperature / overpressure in tank	[°C]/[bar]	90/6	
Heat transfer surface of the exchanger *	[m ²]	1,08	1,45
Capacity of the exchanger *	[l]	7,1	9,5
Max. working temperature / overpressure in exchanger	[°C]/[bar]	110/10	
Power of the exchanger at the 720 l at 80 °C *	[kW]	24	32
Heating time by the exchanger from 10 °C to 60 °C *	[min]	13	13
Energy efficiency class		B	
Static loss	[W]	44	49

Dimensions [mm]	A	D	E	H	T	U	V
OKH 100 NTR/HV	897	520	888	127	119	165	182
OKH 125 NTR/HV	1058	520	1049	127	119	165	182





- Capacities of 250–1000 l
- Working pressure in the vessel and in the heat exchanger is 1 MPa
- With one large heat exchanger for connecting the heating source (heat pump, low-temperature source)
- Installation of TJ 6/4" electrical heating unit possible
- Removable insulation for capacities of from 750 to 1000 l

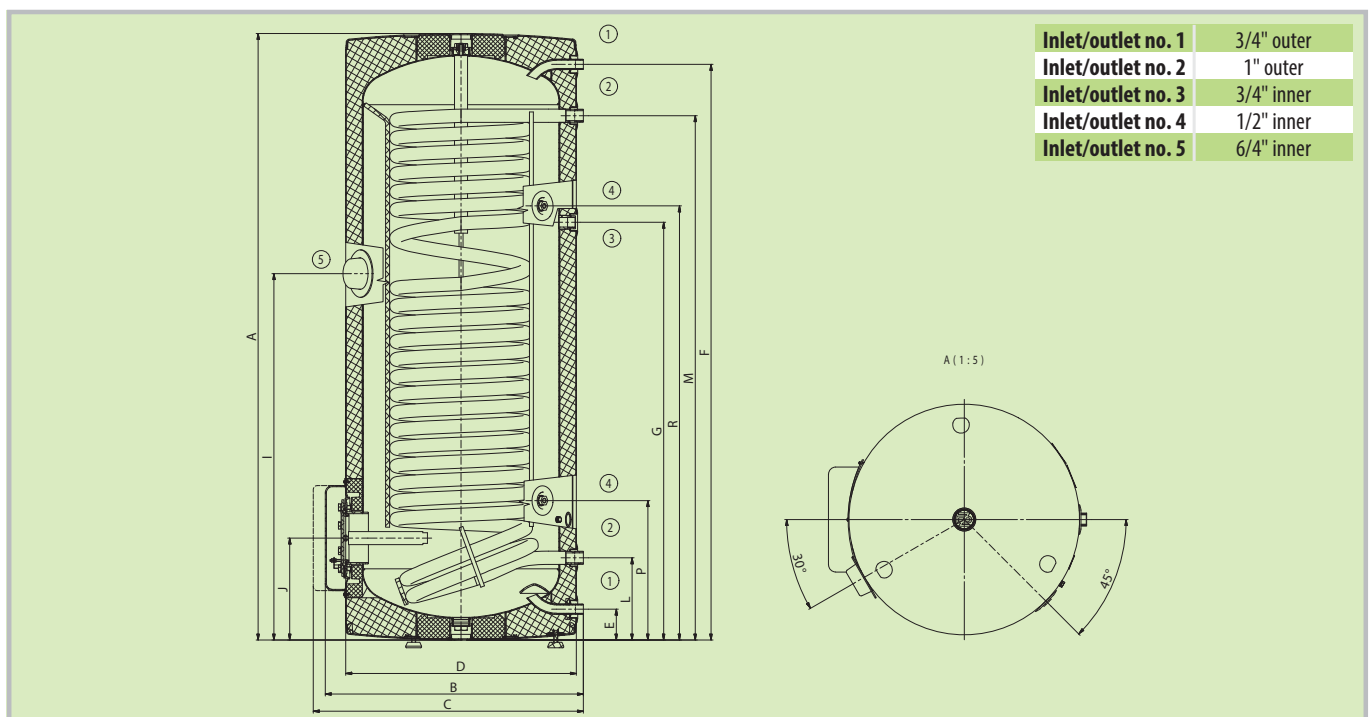


OKC 250 NTR/HP

OKC 500 NTR/HP

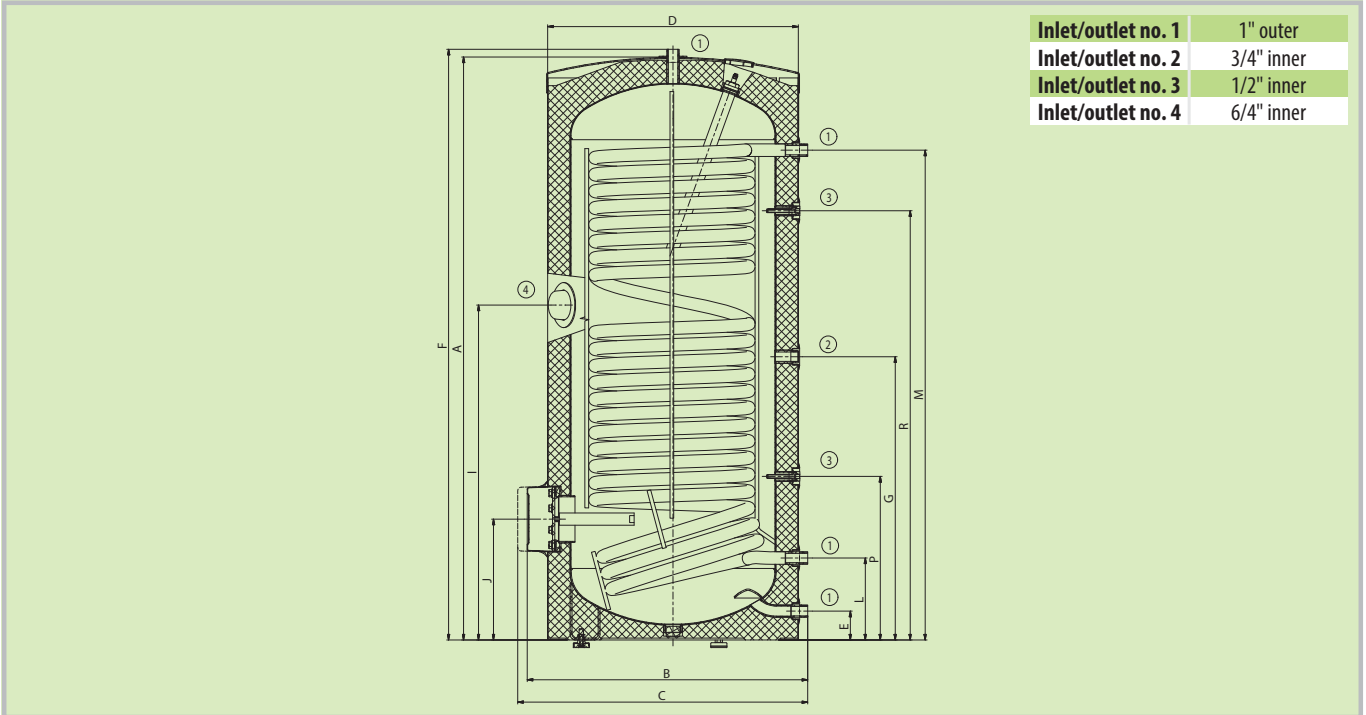
Types of storage tanks		OKC 250 NTR/HP	OKC 300 NTR/HP	OKC 400 NTR/HP	OKC 500 NTR/HP	OKC 750 NTR/HP	OKC 1000 NTR/HP
Order number		110991401	121091401	121491401	121391401	105513051	105513052
Capacity	[l]	234	286	352	469	710	930
Max. weight of the empty water heater	[kg]	119	133	190	223	259	324
Insulation thickness	[mm]	42	60	50	50	80	80
Thermal conductivity of the insulation	[W·m ⁻¹ ·K ⁻¹]	0,022		0,021			0,032
Max. working temperature / overpressure in tank	[°C]/[bar]	90/10 **			90/10		
Heat transfer surface of the exchanger *	[m ²]	2,5	3,2	5,2	6,4	7,0	9,0
Capacity of the exchanger *	[l]	17	21	32	39	47	63
Heating time by the exchanger from 10 °C to 60 °C *	[min]	17	16	13	12	16	16
Max. working temperature / overpressure in exchanger	[°C]/[bar]				110/10		
Energy efficiency class					C		
Static loss	[W]	87	72	90	105	130	142

Dimensions [mm]	A	B	C	D	E	F	G	I	J	L	M	P	R
OKC 250 NTR/HP	1537	660	685	584	80	1460	1060	928	259	209	1330	355	1100

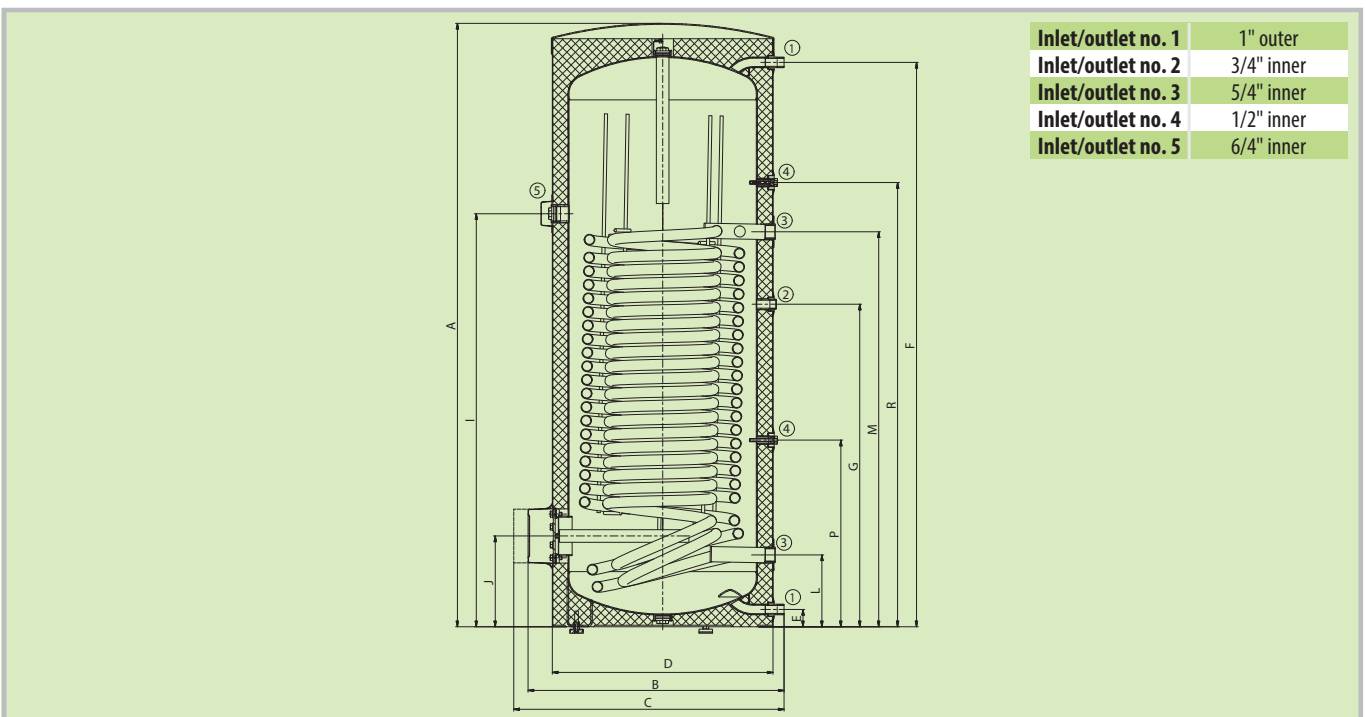




Dimensions [mm]	A	B	C	D	E	F	G	I	J	L	M	P	R
OKC 300 NTR/HP	1558	750	775	670	77	1579	760	895	325	219	1309	438	1148

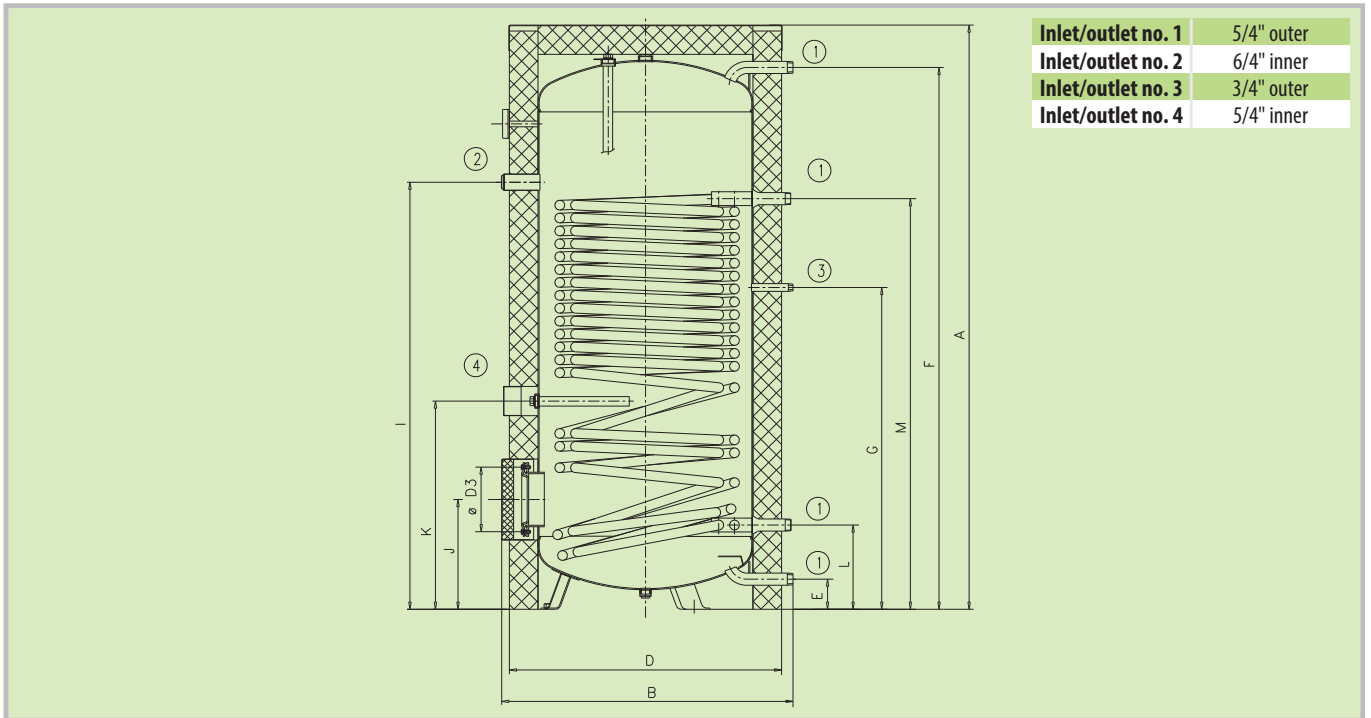


Dimensions [mm]	A	B	C	D	E	F	G	I	J	L	M	P	R
OKC 400 NTR/HP	1644	812	857	700	55	1521	843	1138	288	228	1081	592	1237
OKC 500 NTR/HP	1914	812	857	700	55	1790	1023	1310	288	228	1253	592	1409





Dimensions [mm]	A	B	D	D3	E	F	G	I	J	K	L	M
OKC 750 NTR/HP	2039	1017	910	225	105	1891	1123	1491	383	727	294	1433
OKC 1000 NTR/HP	2053	1117	1010	225	105	1905	1173	1547	391	780	301	1483



Inlet/outlet no. 1	5/4" outer
Inlet/outlet no. 2	6/4" inner
Inlet/outlet no. 3	3/4" outer
Inlet/outlet no. 4	5/4" inner



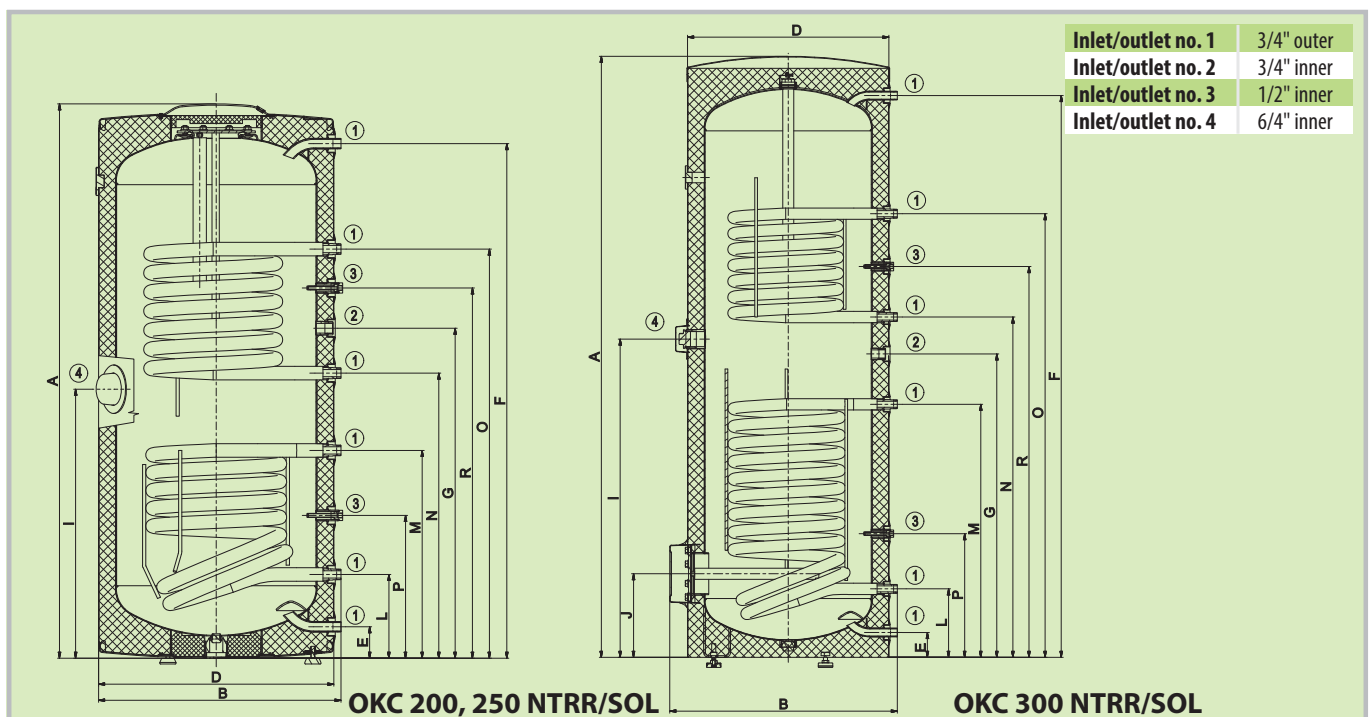
- Optimised exchanger surfaces for solar collectors and other sources of power
- Storage tank includes 2 sensor pockets
- Installation of TJ 6/4" electrical heating unit possible
- Better layering of hot water thanks to modified dimensions
- Storage tanks can be used as main water heating storage tank or as pre-heating storage tank before existing hot water storage tank
- Side flange used solely as an inspection hole



OKC 200, 250 NTRR/SOL OKC 300 NTRR/SOL

Types of storage tanks		OKC 200 NTRR/SOL	OKC 250 NTRR/SOL	OKC 300 NTRR/SOL
Order number		110791301	110991301	121091301
Capacity	[l]	200	242	275
Max. weight of the empty water heater	[kg]	104	109	111
Insulation thickness	[mm]	42	42	48
Thermal conductivity of the insulation	[W·m ⁻¹ ·K ⁻¹]		0,022	
Max. working temperature / overpressure in tank	[°C]/[bar]		90/10 **	90/10
Heat transfer surface of the exchanger * (top/bottom)	[m ²]	0,8/0,8	0,8/1	0,8/1,2
Capacity of the exchanger * (top/bottom)	[l]	5,5/5,5	5,5/7	5,5/8,5
Max. working temperature / overpressure in exchanger	[°C]/[bar]		110/10	
Power of the exchanger at the 720 l at 80 °C * (top/bottom)	[kW]	19/19	19/24	19/29
Heating time by the exchanger from 10 °C to 60 °C *	[min]	23/34	26/33	25/33
Energy efficiency class			C	
Static loss	[W]	82	87	85

Dimensions [mm]	A	B	D	E	F	G	I	J	L	M	N	O	P	R
OKC 200 NTRR/SOL	1377	607	584	80	1280	820	668	–	209	516	708	1016	355	920
OKC 250 NTRR/SOL	1557	607	584	80	1460	1000	840	–	209	648	888	1196	355	1100
OKC 300 NTRR/SOL	1791	678	600	74	1674	904	948	249	204	754	1014	1322	369	1165



AQUA 250 HP

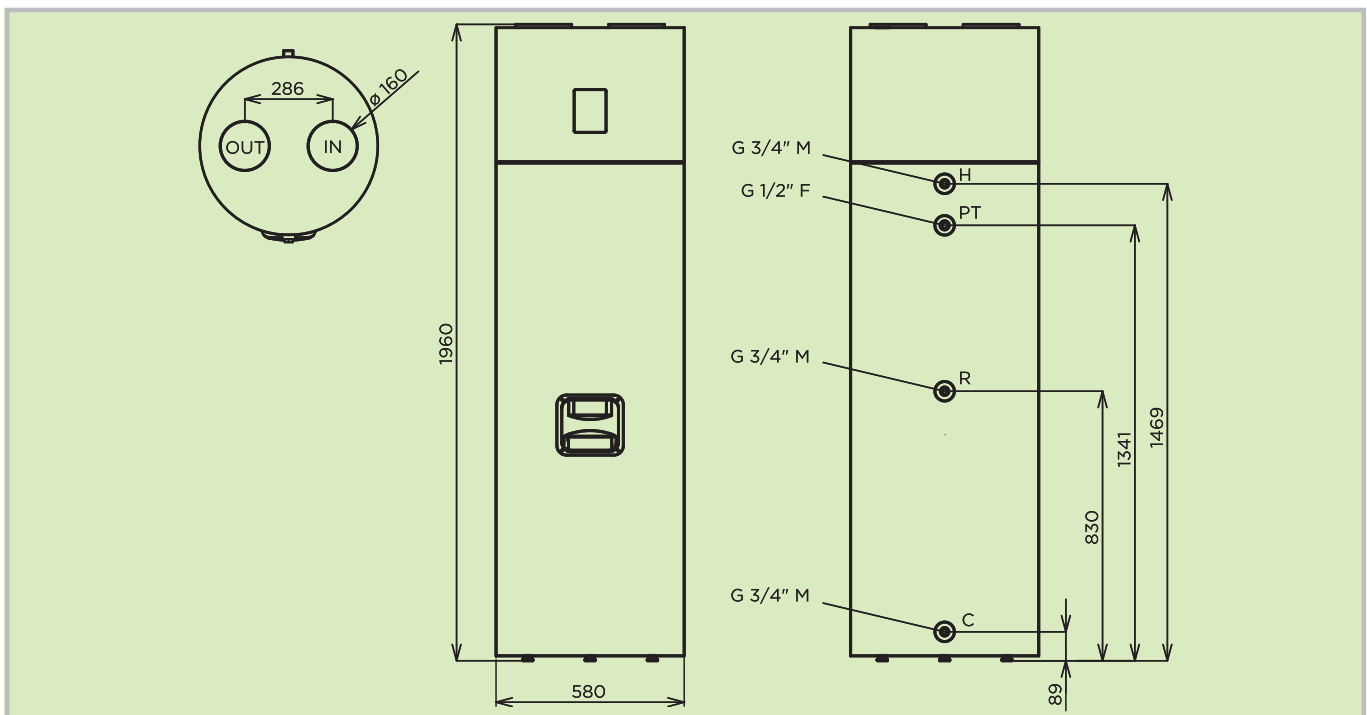
Water heater with heat pump



- Quiet operation, high performance, energy saving
- Water heater enamel container
- Works from -5 °C of ambient temperature
- Temperature 55 °C water also during winter
- Antilegionell function



Technical parameters		
Order number	–	107020000
Capacity	[l]	250
Overall dimensions (∅ × height)	[mm]	580 × 1960
Max. weight (without water)	[kg]	83
Upper piece	–	Stainless steel
Bottom part	–	Varnished sheet metals
Insulation thickness (PUR)	[mm]	50
Max. working temperature / overpressure in tank	[°C] / [bar]	80 / 7
Degree of protection	–	IPx1
Electrical connection	–	1/N/PE ~ 230 V / 50 Hz
Input PP (medium / maximum)	[W]	400 / 700
El. element input	[W]	1500
Thermal output PP	[W]	1800
Fan input	[W]	65
Recomm. circuit breaker value	[A]	16
Max. water temperature from PP	[°C]	55
Max. water temperature from heating unit	[°C]	65
Coolant	type / [kg]	R 134a / 1,2
Heat factor COP *	–	3,2
Heating time *	[h]	6,8
Mixed water V40 *	[l]	315
Air volume flow	[m ³ ·h ⁻¹]	450
Maximum piping length	[m]	10
Range of operating temperatures	[°C]	-5 / 40
Jigger profile	–	XL
Energy efficiency class	–	A+
Energy efficiency	[%]	134
Annual consumption	[kWh]	1251
Noise level	[dB(A)]	51
Function only at low tariffs el. energy	–	no
SMART function	–	0



Accessories tables

Mounting options for individual TJ electrical heating units

Tank diameter [mm]	Type	TJ 6/4" - 2*	TJ 6/4" - 2,5*	TJ 6/4" - 3,3	TJ 6/4" - 3,75*	TJ 6/4" - 4,5*	TJ 6/4" - 6*	TJ 6/4" - 7,5	TJ 6/4" - 7,5*	TJ 6/4" - 9	TJ 6/4" - 9*
500	OKCE 200 S	▲	▲	▲	▲	▲	–	–	–	–	–
	OKC 200 NTR/BP	▲	▲	▲	▲	▲	▲	–	–	–	–
	OKC 200 NTRR/BP	▲	▲	▲	▲	▲	▲	–	–	–	–
	OKC 200 NTRR/SOL	▲	▲	▲	▲	▲	▲	–	–	–	–
	OKCE 250 S	▲	▲	▲	▲	▲	▲	–	–	–	–
	OKC 250 NTR/BP	▲	▲	▲	▲	▲	▲	–	–	–	–
	OKC 250 NTRR/BP	▲	▲	▲	▲	▲	▲	–	–	–	–
	OKC 250 NTR/HP	▲	▲	▲	–	–	–	–	–	–	–
	OKC 250 NTRR/SOL	▲	▲	▲	▲	▲	▲	–	–	–	–
	OKC 300 NTRR/SOL	▲	▲	▲	▲	▲	▲	–	–	–	–
550	OKCE 300 S	▲	▲	▲	▲	▲	▲	–	–	–	–
	OKC 300 NTR/BP	▲	▲	▲	▲	▲	▲	–	–	–	–
	OKC 300 NTRR/BP	▲	▲	▲	▲	▲	–	–	–	–	–
	OKC 300 NTR/HP	▲	▲	▲	▲	▲	–	–	–	–	–
	OKCE 400 S	▲	▲	▲	▲	▲	▲	–	–	–	–
	OKC 400 NTR/BP	▲	▲	▲	▲	▲	▲	–	–	–	–
600	OKC 400 NTRR/BP	▲	▲	▲	▲	▲	▲	–	–	–	–
	OKC 400 NTR/HP	▲	▲	▲	▲	▲	▲	▲	–	▲	–
	OKCE 500 S	▲	▲	▲	▲	▲	▲	▲	–	▲	–
	OKC 500 NTR/BP	▲	▲	▲	▲	▲	▲	▲	–	▲	–
	OKC 500 NTRR/BP	▲	▲	▲	▲	▲	▲	▲	–	▲	–
750	OKC 500 NTR/HP	▲	▲	▲	▲	▲	▲	▲	–	▲	–
	OKC 750 NTR/BP	▲	▲	▲	▲	▲	▲	▲	▲	▲	▲
	OKC 750 NTRR/BP	▲	▲	▲	▲	▲	▲	▲	▲	▲	▲
850	OKC 750 NTR/HP	▲	▲	▲	▲	▲	▲	▲	▲	▲	▲
	OKC 1000 NTR/BP	▲	▲	▲	▲	▲	▲	▲	▲	▲	▲
	OKC 1000 NTRR/BP	▲	▲	▲	▲	▲	▲	▲	▲	▲	▲
	OKC 1000 NTR/HP	▲	▲	▲	▲	▲	▲	▲	▲	▲	▲

* TJ 6/4" with extended cold part

▲ can be fitted

– cannot be fitted

Mounting options for built-in electrical units of the R, SE flange series

Tank diameter [mm]	Type	REU 18-2,5	RDU 18-2,5	RDU 18-3	RDU 18-3,8	RDU 18-5	RDU 18-6	RDW 18-7,5	RDW 18-10	RSW 18-12	RSW 18-15	SE 377	SE 378
500	OKC 300 NTRR/SOL	▲	▲	▲	▲	▲	▲	▲	▲	–	–	–	–
550	OKCE 300 S	●	●	●	●	●	●	●	●	●	–	–	–
	OKC 300 NTR/BP	●	●	●	●	●	●	●	●	–	–	–	–
	OKC 300 NTRR/BP	●	●	●	●	●	●	●	●	–	–	–	–
	OKC 300 NTR/HP	▲	▲	▲	▲	▲	▲	▲	▲	–	–	–	–
	OKCE 400 S	●	●	●	●	●	●	●	●	●	–	–	–
	OKC 400 NTR/BP	●	●	●	●	●	●	●	●	●	–	–	–
600	OKC 400 NTRR/BP	●	●	●	●	●	●	●	●	–	–	–	–
	OKC 400 NTR/HP	▲	▲	▲	▲	▲	▲	▲	▲	–	–	–	–
	OKCE 500 S	●	●	●	●	●	●	●	●	●	●	–	–
	OKC 500 NTR/BP	●	●	●	●	●	●	●	●	●	–	–	–
750	OKC 500 NTRR/BP	●	●	●	●	●	●	●	●	–	–	–	–
	OKC 500 NTR/HP	▲	▲	▲	▲	▲	▲	▲	▲	–	–	–	–
	OKCE 750 S	■	■	■	■	■	■	■	■	■	■	▲	▲
850	OKC 750 NTR/BP	■	■	■	■	■	■	■	■	■	■	▲	–
	OKC 750 NTRR/BP	■	■	■	■	■	■	■	■	■	■	▲	–
	OKCE 1000 S	■	■	■	■	■	■	■	■	■	■	■	▲
	OKC 1000 NTR/BP	■	■	■	■	■	■	■	■	■	■	▲	▲
	OKC 1000 NTRR/BP	■	■	■	■	■	■	■	■	■	■	▲	▲

▲ can be fitted

■ can only be fitted with the 225/150 reduction flange

● can only be fitted with the 210/150 reduction flange

– cannot be fitted

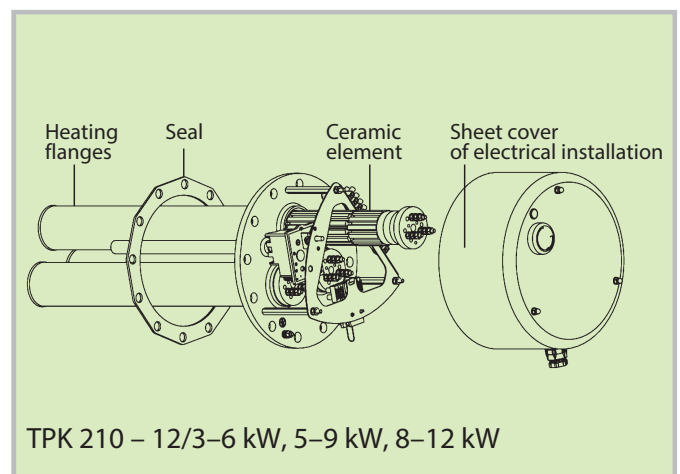
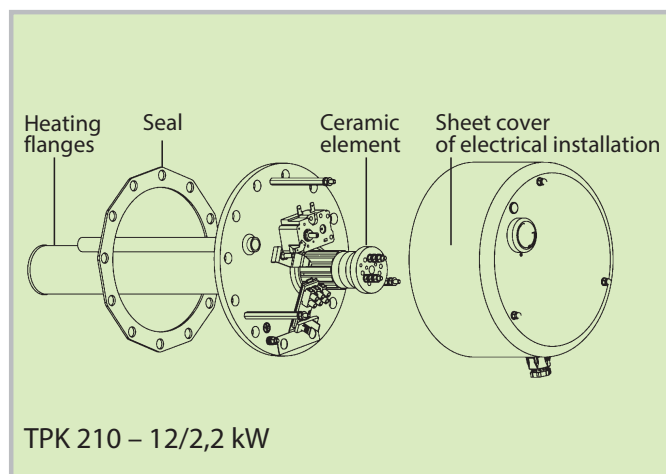


Mounting options for individual TPK electrical heating units

Tank diameter [mm]	Type	TPK 150-8/ 2,2 kW	TPK 168-8/ 2,2 kW	TPK 210-12/ 2,2 kW	TPK 210-12/ 3-6 kW	TPK 210-12/ 6,6 kW	TPK 210-12/ 5-9 kW	TPK 210-12/ 8-12 kW
500	OKCE 160 S	-	-	▲	▲	▲	-	-
	OKC 160 NTR/BP	-	▲	-	-	-	-	-
	OKCE 200 S	-	-	▲	▲	▲	-	-
	OKC 200 NTR/BP	-	▲	-	-	-	-	-
	OKC 200 NTRR/BP	-	▲	-	-	-	-	-
	OKC 250 NTR/HP	-	▲	-	-	-	-	-
	OKCE 250 S	-	-	▲	▲	▲	-	-
	OKC 250 NTR/BP	-	▲	-	-	-	-	-
	OKC 250 NTRR/BP	-	▲	-	-	-	-	-
	OKC 300 NTRR/SOL	▲	-	-	-	-	-	-
550	OKCE 300 S	-	-	▲	▲	▲	▲	▲
	OKC 300 NTR/BP	-	-	▲	▲	▲	-	-
	OKC 300 NTRR/BP	-	-	▲	▲	▲	-	-
	OKC 300 NTR/HP	▲	-	-	-	-	-	-
	OKCE 400 S	-	-	▲	▲	▲	▲	▲
	OKC 400 NTR/BP	-	-	▲	▲	▲	-	-
	OKC 400 NTRR/BP	-	-	▲	▲	▲	-	-
600	OKC 400 NTR/HP	▲	-	-	-	-	-	-
	OKCE 500 S	-	-	▲	▲	▲	▲	▲
	OKC 500 NTR/BP	-	-	▲	▲	▲	-	-
	OKC 500 NTRR/BP	-	-	▲	▲	▲	-	-
	OKC 500 NTR/HP	▲	-	-	-	-	-	-
750	OKCE 750 S	-	-	■	■	■	■	■
	OKC 750 NTR/BP	-	-	■	■	■	■	■
	OKC 750 NTRR/BP	-	-	■	■	■	■	■
850	OKCE 1000 S	-	-	■	■	■	■	■
	OKC 1000 NTR/BP	-	-	■	■	■	■	■
	OKC 1000 NTRR/BP	-	-	■	■	■	■	■

- ▲ can be fitted
- can only be fitted with the 225/210 reduction flange
- cannot be fitted

Composition of single- and three-phase TPK heating flange units

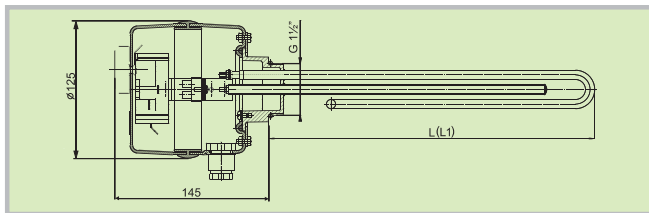


Original parts from Dražice

Screw-type electrical heating units of TJ G 6/4" series

TJ G 6/4"		TJ 6/4"-2	TJ 6/4"-2,5	TJ 6/4"-3,3	TJ 6/4"-3,75	TJ 6/4"-4,5	TJ 6/4"-6	TJ 6/4"-7,5	TJ 6/4"-9
Order number L/L1		-/ 2110030	-/ 2110031	2110001/ -	-/ 2110033	-/ 2110034	-/ 2110035	2110006/ 2110036	2110007/ 2110037
Power consumption	[kW]	2	2,5	3,3	3,75	4,5	6	7,5	9
Weight	[kg]	1,2	1,3	1,7	2	2	2	2 / 2,3	2 / 2,3
Overall dimensions (∅ × L/L1)	[mm]	126 × - / 525	126 × - / 550	126 × 470 / -	126 × - / 595	126 × - / 645	126 × - / 665	126 × 720 / 830	126 × 750 / 865
Extension length L/L1	[mm]	- / 380	- / 405	325 / -	- / 450	- / 500	- / 520	575 / 685	605 / 720
Electrical connection		1/N/PE ~ 230V/50Hz	1/N/PE ~ 230V/50Hz	3/N/PE ~ 400V/50Hz, ⊕	3/N/PE ~ 400V/50Hz, ⊕	3/N/PE ~ 400V/50Hz, ⊕	3/N/PE ~ 400V/50Hz, ⊕	3/N/PE ~ 400V/50Hz, ⊕	3/N/PE ~ 400V/50Hz, ⊕
Recomm. circuit breaker value	[A]	16	16	3 × 10	3 × 10	3 × 10	3 × 16	3 × 16	3 × 20
Degree of protection		IP42							
Scale of set temperature	[°C]	5-74							
Heat. time approx. 150110-60°C	[h]	4,5	4,0	2,7	2,3	2,0	1,5	1,3	1,0
Heat. time approx. 150135-60°C	[h]	2,2	2,0	1,5	1,2	1,0	0,7	0,6	0,5

Extension lengths are in a tolerance of ± 10 mm.



Built-in electrical heating units of the R, SE flange series

R, SE		REU 18-2,5	RDU 18-2,5	RDU 18-3	RDU 18-3,8	RDU 18-5	RDU 18-6	RDU 18-7,5	RDU 18-10	RSW 18-12	RSW 18-15	SE 377	SE 378
Order number		100541551	100541560	100541561	100541562	100541563	100541564	100541570	100541571	100541580	100541581	100541517	100541511
Power consumption	[kW]	2,5	2,5	3	3,8	5	6	7,5	10	12	15	8-11-16	9,5-12,7-19
Weight	[kg]	3	3,3	3,4	3,5	3,5	3,5	3,7	4	4	4,2	8	11,5
Overall dimensions (∅ × L)	[mm]	188 × 560											
Extension length	[mm]	450	450	450	450	450	450	450	450	188 × 640	188 × 740	260 × 740	260 × 870
Electrical connection		1/N/PE ~ 230V/ 50Hz	3/N/PE ~ 400V/ 50Hz, ⊕	3/N/PE ~ 400V/ 50Hz, ⊕	3/N/PE ~ 400V/ 50Hz, ⊕	3/N/PE ~ 400V/ 50Hz, ⊕	3/N/PE ~ 400V/ 50Hz, ⊕	3/N/PE ~ 400V/ 50Hz, ⊕	3/N/PE ~ 400V/ 50Hz, ⊕	3/N/PE ~ 400V/ 50Hz, ⊕	3/N/PE ~ 400V/ 50Hz, ⊕	3/N/PE ~ 400V/ 50Hz, ⊕	3/N/PE ~ 400V/ 50Hz, ⊕
Recomm. circuit breaker value	[A]	16	3 × 6	3 × 6	3 × 10	3 × 10	3 × 16	3 × 16	3 × 20	3 × 20	3 × 25	3 × 25	3 × 32
Degree of protection		IPX4											
Heat. time approx. 300110-60°C	[h]	8,0	8,0	6,0	5,0	4,0	3,0	2,5	2,0	1,5	1,3	2,0-2,0-1,3	2,0-1,5-1,0

Extension lengths are in a tolerance of ± 10 mm.



Flanged heating units with ceramic body TPK

TPK		TPK 150-8/2,2	TPK 168-8/2,2	TPK 210-12/2,2	TPK 210-12/3-6	TPK 210-12/6,6	TPK 210-12/5-9	TPK 210-12/8-12	
Order number		2110409	2110055	2110053	2110050	2110410	2110051	2110052	
Power consumption	[kW]	2,2	2,2	2,2	3-4-6	6,6	5-7-9	8-10-12	
Weight	[kg]	4,2	4,2	6,6	12	13	13,6	14	
Overall dimensions (∅ × L)	[mm]	185 × 510	219 × 515	245 × 564	245 × 564	245 × 564	245 × 674	245 × 674	
Extension length	[mm]	400	400	440	440	440	550	550	
Electrical connection		1/N/PE ~ 230V/50Hz	1/N/PE ~ 230V/50Hz	1/N/PE ~ 230V/50Hz	1/N/PE ~ 230V/50Hz, 3/N/PE ~ 400V/50Hz, ⊕	1/N/PE ~ 230V/50Hz, 3/N/PE ~ 400V/50Hz, ⊕	3/N/PE ~ 400V/50Hz, ⊕	3/N/PE ~ 400V/50Hz, ⊕	
Recomm. circuit breaker value	[A]	16	16	16	20 / 3 × 16	20 / 3 × 16	3 × 20	3 × 25	
Degree of protection		IP42							
Scale of set temperature	[°C]	5-74							

* – according to connection method

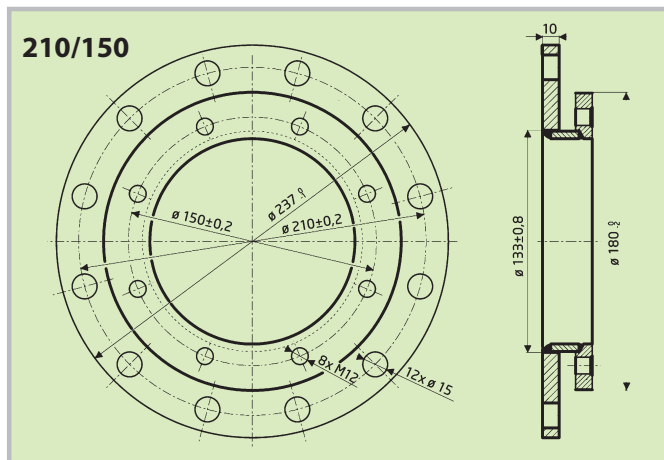
Extension lengths are in a tolerance of ± 10 mm.



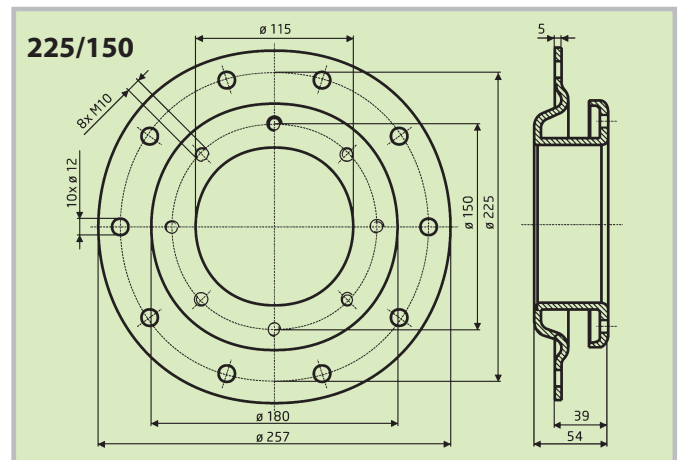


Reduction flanges

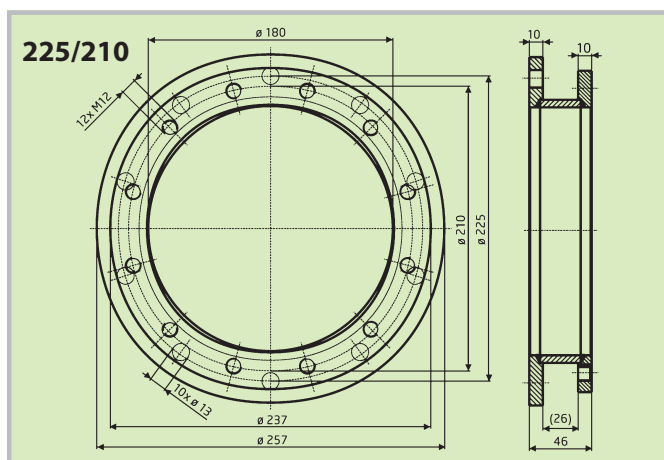
- REU, RDU and RSW electrical heating units can be assembled in the OKCE 160–500 S, OKC 300, 400, 500 BP water heaters using a 210/150 reduction flange.



- REU, RDU, RDW and RSW electrical heating units can be assembled in water heaters with capacities of 750 and 1000 litres using a 225/150 reduction flange.



- TPK 210 - 2.2 kW and TPK 210 - 12/3-6 kW, TPK 210 - 12/5-9 kW and TPK 210 - 12/8-12 kW electrical heating units can be assembled in water heaters with capacities of 750 and 1000 litres using a 225/210 reduction flange.



Box of thermoregulation KR

- Indirect-heating water heaters are equipped with sensor pockets to place the sensor from an external source (solid fuel boiler, solar controller, heat pump, etc.). The KR thermoregulation box can be used in installations which cannot be controlled by a control unit from an external source; the KR box controls the external source or its switching elements (e.g. a three-way valve). The switching temperature can be set at between 5–74 °C. The water heater tank is equipped with sensor pockets with an internal thread of M 12 x 1.5 for the installation of the controllers' sensors.



KR		KR-230 V
Order number		2113000
Voltage	[V]	230

Company history

The origin of the future cooperative enterprise dates back to 1900 when the widow Marie Kyselová added a grist mill to the company assets. This led to the establishment of a production cooperative in Dražice nad Jizerou, incorporating a granary, art cylinder mill and bakery.

Between 1910 and 1917 the new management headed by Václav Čančík changed the course of the cooperative activity on the recommendation of a professor of the Prague Technical Institute, Karel Novák and turned to the very prospective production and distribution of electricity. In 1910 a hydroelectric power plant was built with two turbines with an output of 300 HP. In 1917 the Dražice power plant supplied electricity to 69 villages with 8 111 consumers. The company reached its peak in the second half of the twenties; It employed 220 workers and owned 8 hydroelectric power plants on the Jizera river, a steam power plant, two mills and a distribution network that supplied electricity to 383 villages with 24 080 consumers. The turnover for 1930 amounted to a respectable three-quarters of a billion CZK.

In 1948, after the forced sale of the distribution networks and subsequent nationalization of a large part of the cooperative the company switched to the manufacturing of products and services for the population, focusing on household needs and facilities aimed at sport activities. Eight years later, custom production of water heaters become one of the activities under the leadership of Mr. Křovák, a former entrepreneur.

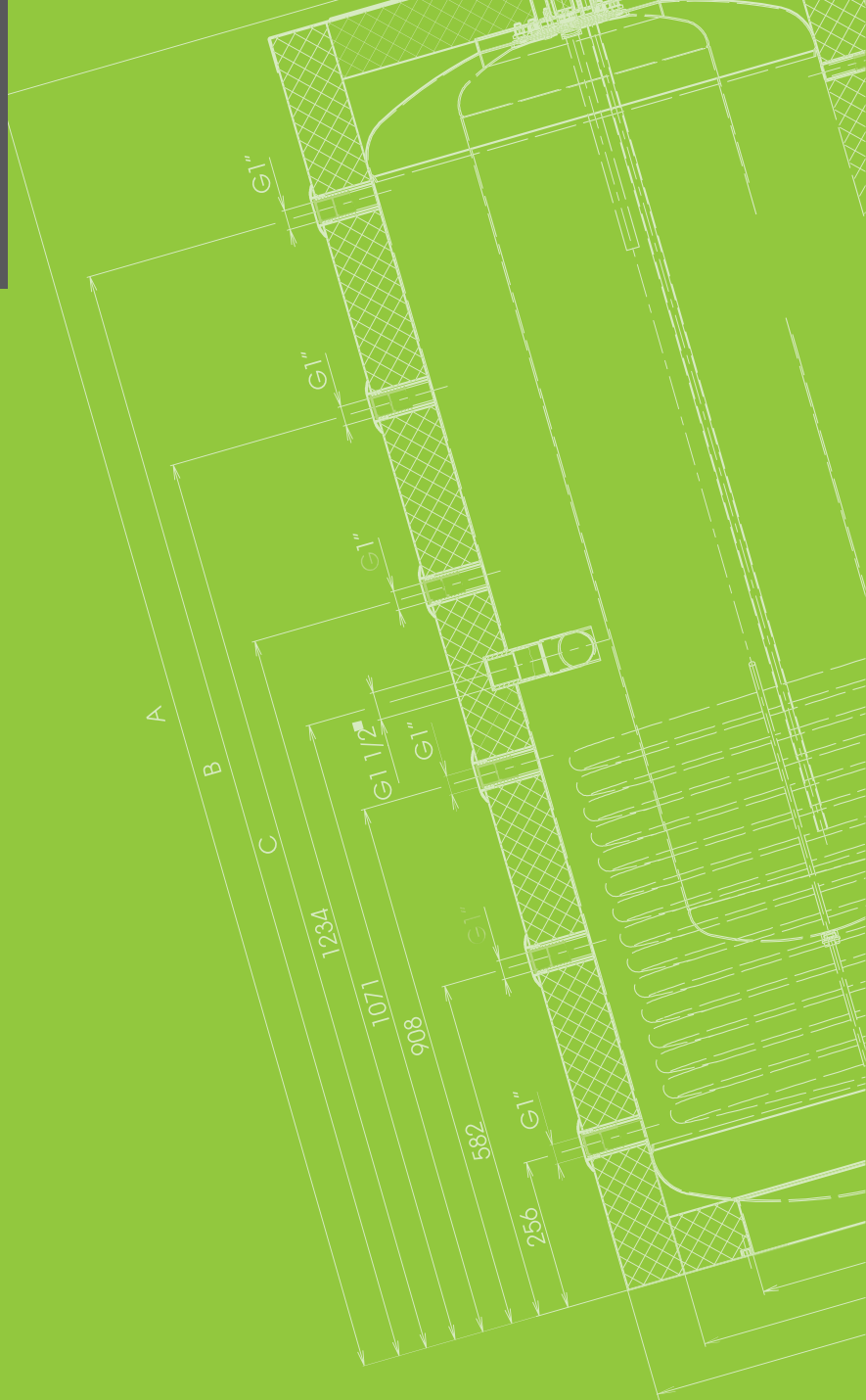
By the late eighties the Cooperative Dražice was manufacturing about 13 000 combined water heaters per year. After the political change in 1989 the cooperative was divided into independent commercial companies. One of these companies is the private company Družstevní závody Dražice-strojírna s.r.o. (Cooperative of Dražice-Engineering s.r.o. (Ltd)), which took over the production of water heaters.

Rapid developments took place between 1992 and 2003. It led to increased range of products, upgrades to the technological facilities and a constant increase in production. The company underwent a fundamental modernization at the end of 1997 with the construction of a new enameling line. DZ Dražice has become the largest seller of water heaters in the country and since 1994 began to expand its export activities, resulting in exports of products to 16 countries across Europe. In 2003 the company produced 95 000 water heaters. In 2004, a new hall was built in preparation for the construction of a new enameling kiln. The kiln was built in the summer of 2005 and made it possible for the company to increase the enameling line capacity and to improve the enameling process. The product line expanded in 2005 with the addition of storage tanks and the new, square-shaped OKHE water heater was completed by the end of the year. In this year the company manufactured 115 000 water heaters and employed 210 workers.

The year 2006 saw the transfer of 100% of the shares of DZ Dražice-strojírna s.r.o. to the Swedish Company NIBE Industrier AB, which thus became the sole owner of DZ Dražice. During the summer of 2007 an extension in production was implemented resulting in two assembly lines, which increased the production capacity to 150 000 units per year. DZ Dražice also started offering NIBE heat pumps, solar assembly kits and low pressure flow and stainless steel NIBE water heaters. In recent years the Company has focused on further expanding its line. In 2011, its products included a water heater with a heat pump, a hybrid water heater connectable to photovoltaic panels, and an outdoor storage tank. It also launched a water heater with smart controls and numerous functions (OKHE SMART). In September 2014 the Company presented a new model OKHE SMART EVO 3 controllable via smartphone, at ForTherm exhibition. From 2016 we have been producing a new OKHE and OKCE heater series and the OKHE SMART function have been improved.

Družstevní závody Dražice-strojírna s.r.o.
Dražice 69, 294 71 Benátky nad Jizerou
Czech Republic

Phone: +420/326 370 990
Fax: +420/326 370 980
E-mail: prodej@dzd.cz
www.dzd.cz



Cerbos

central heating systems • sale • installation • maintenance
tel +372 442 0222 / +372 434 1000 • www.cerbos.ee • info@cerbos.ee

© January/2018

The current version can be found on www.dzd.cz.

The manufacturer reserves the right to changes.

The colour of the products on the images is solely for information purposes.